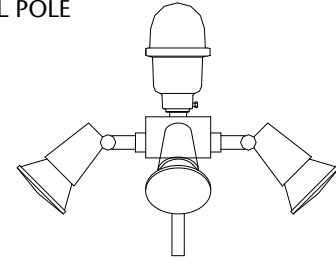
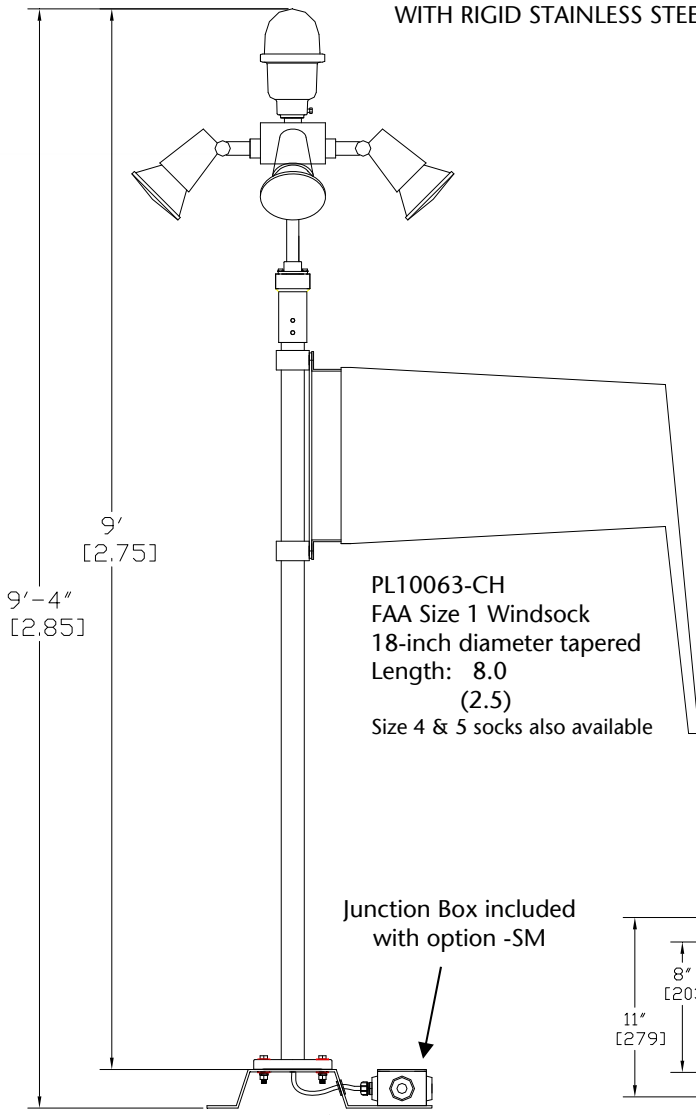
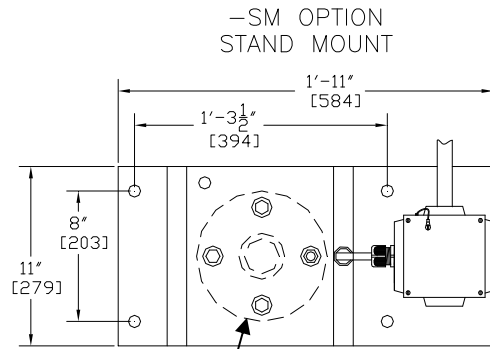


**PWC-8061L-x-ON-SSP-SM**

SIZE 1 EXTERNALLY LIGHTED  
WITH RIGID STAINLESS STEEL 316L POLE



LIGHTING ASSEMBLY  
4 FLOODLIGHTS



Stainless steel 316L floor flange welded to pole  
Includes SS 316L hardware to attach pole to Stand Mount  
For Stand Mount to deck (hardware by others):  
Four (4) holes 0.56-inch dia.  
Use 0.5-inch anchor bolts

Dimensions: feet  
(meters)