



**POINT
LIGHTING**
CORPORATION

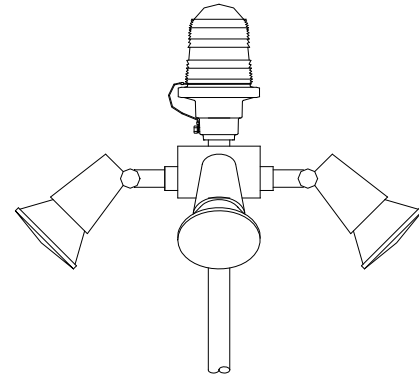
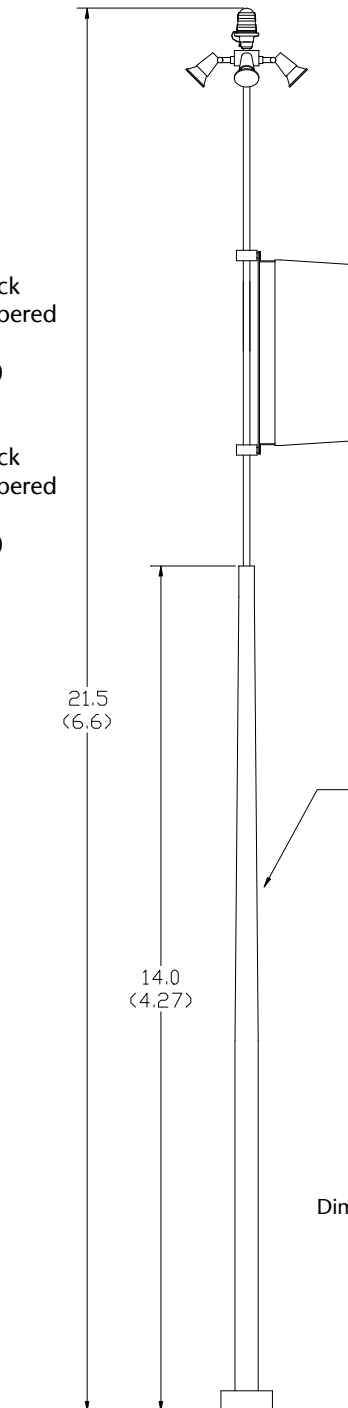
**POINT WIND CONE
PWC
Type 807**

PWC-807xL

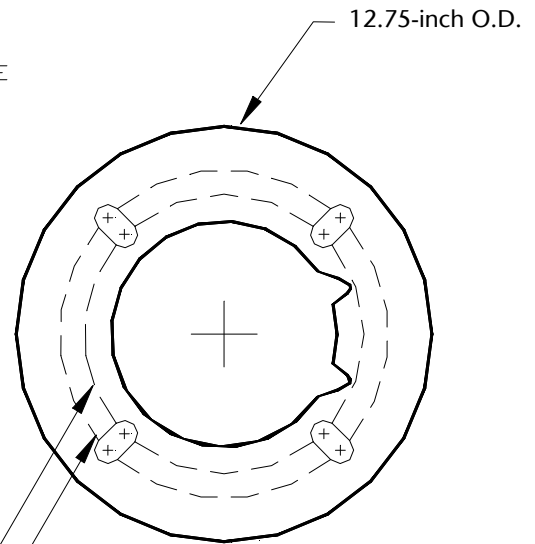
SIZES 1 & 5 EXTERNALLY LIGHTED

PL10063-CH
Size 1 Windssock
18-inch dia tapered
Length: 8.0
(2.45)

PL11169
Size 5 Windssock
24-inch dia tapered
Length: 8.0
(2.45)



LIGHTING ASSEMBLY
4 FLOODLIGHTS



Dimensions: feet
(meters)

PL10312-14 Pole
10-inch dia Maximum Bolt Circle
8.5-inch dia minimum Bolt Circle