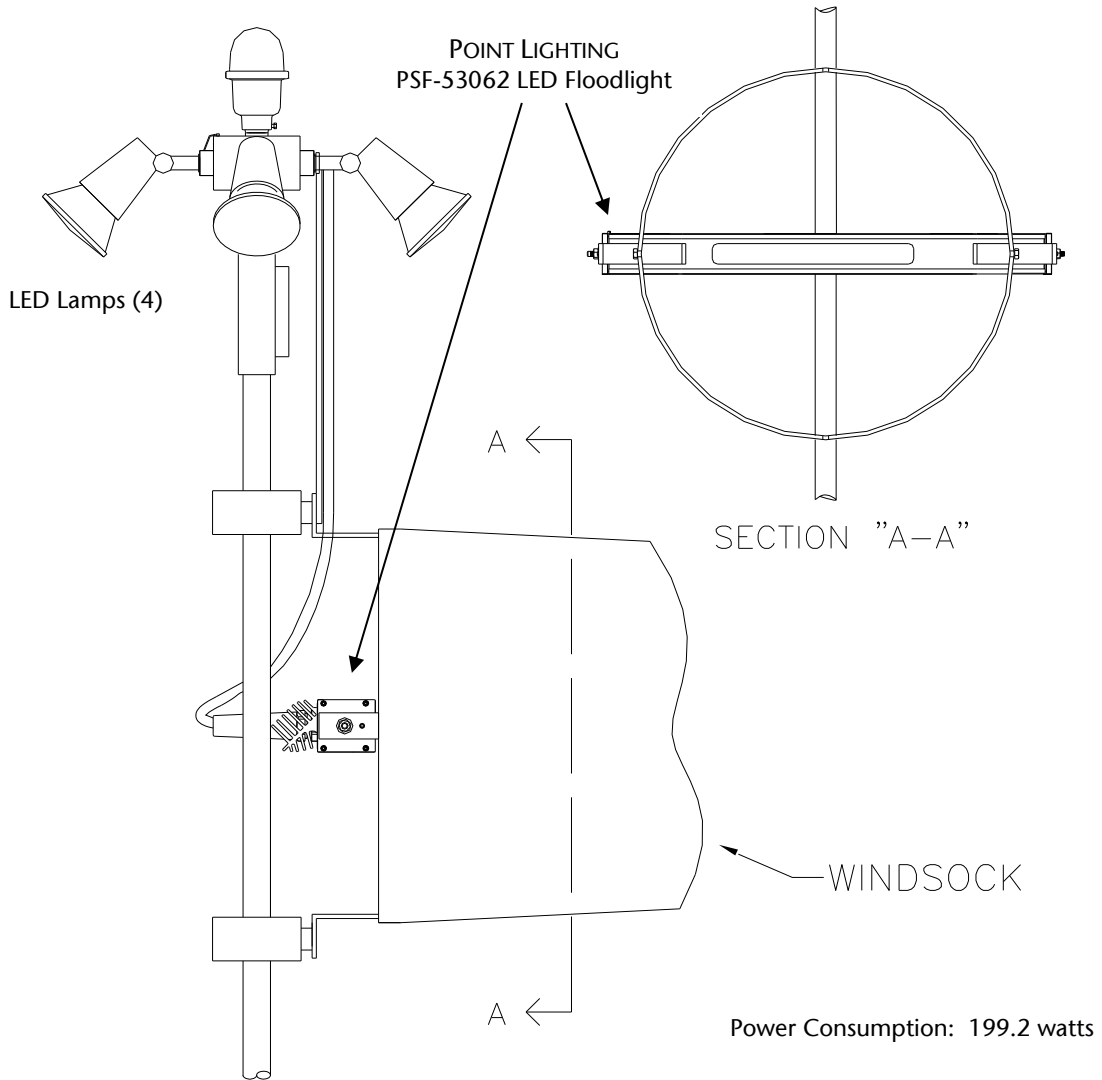




**POINT
LIGHTING**
CORPORATION

**POINT WIND CONE
PWC**
INTERNALLY & EXTERNALLY LIGHTED

PWC OPTION -C
LIGHTING ASSEMBLY DETAIL



MERCURY FREE

POINT LIGHTING CORPORATION wind cones are free of components containing liquid mercury. Many wind cone manufacturers use electrical couplings containing mercury. Mercury is a hazardous substance and many governmental bodies now control the importation and disposal of products containing mercury.