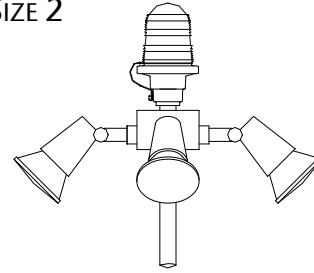
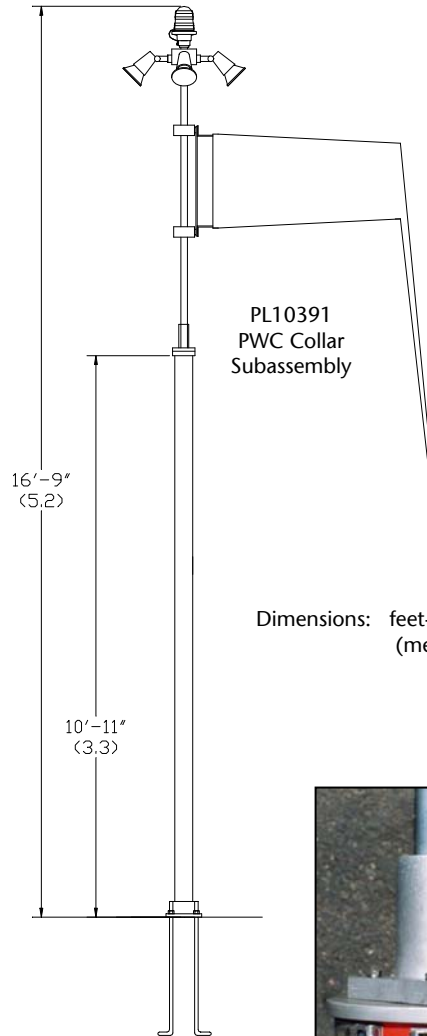


OPTION -LIR

PWC-8061L FAA SIZE 1

PWC-8062L FAA SIZE 2

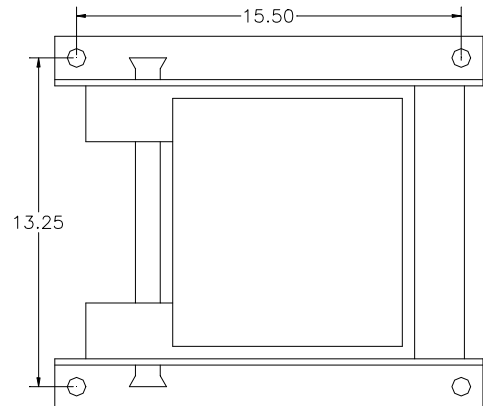


LIGHTING ASSEMBLY
4 FLOODLIGHTS
AIMING ANGLE IS FACTORY PRESET

Important: Point Lighting uses the Jaquith FAA MG20 Mast customized to accept the top subassembly so it will not break off at the interface. Do not attempt to mount a top PWC lighting assembly on a standard MG20 mast.

Dimensions: feet-inches
(meters)

Hinged Mounting Base



LIR Mast Interface Subassembly

