

Compliances: FAA Advisory Circular 150/5390-27E Windsock
ICAO Annex 14, Volume II Heliports, Paragraph 5.1
UK CAA CAP 437



ATEX & IECEX Listed: Zones 1&2, T4 at -40 deg C to +55 deg C
ATEX & IECEX Listed: Ex II 2GD Ex db eb op is IIC T4 Gb IP66



A wind cone is used to visually indicate wind direction at airports and heliports. Point Lighting wind cones are installed on offshore helidecks, heliports, hospitals, and military bases around the world.

FAA Type	Size	Lighting	Power	Windsock	Rating	Options
PWC-806	1: 8-ft Sock FAA Size 1 4: 1.2m Sock ICAO	L: Lighted Style I Size 1: 8-ft sock has 18-inch diameter frame Size 4: 4-ft sock has 12-inch diameter frame	2: AC	ON: Orange Nylon RW: Red/White	AX: Zone 1 & Zone 2	OL: Obstacle Light FM: Flange Mount (page 2) SM: Stand Mount

All hardware is stainless steel 316

ATEX & IECEX WIND CONE
PWC-8061L-2-ON-AX

ATEX ZONE 1 & 2 LISTED
HIGH INTENSITY LED FLOODLIGHT
T4 RATED & IP66
-40 TO +55 DEGREE C



IECEX CERTIFICATE: IECEX ITS 18.0007X
ATEX CERTIFICATE: 2460 ITS 18 ATEX 103084X

Lumens in white light: 5,000
Temperature Rating: T4 -40 to +55 C
Voltage with -OL: 120-240V, 50/60 Hz
Power Consumption - Flood: 39 watts
Power Consumption - OL: 7 watts

SPARE PARTS

PL11429-1	Floodlight Assembly
PL11282-1	Obstacle Light
PL10063-CH	Windsock Size 1
PL10996	Windsock Size 4
PL10289	Basket Subassembly Size 1



Pole is Stainless Steel 316L

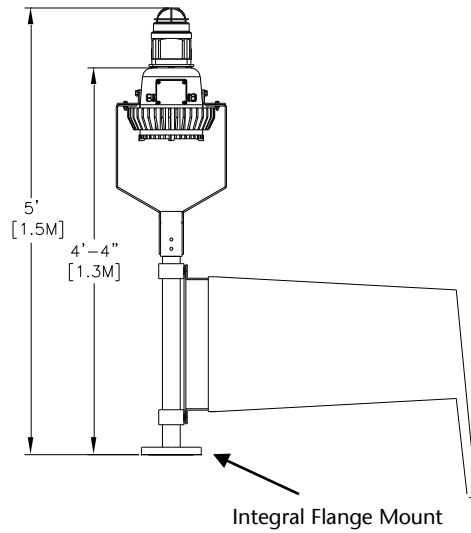
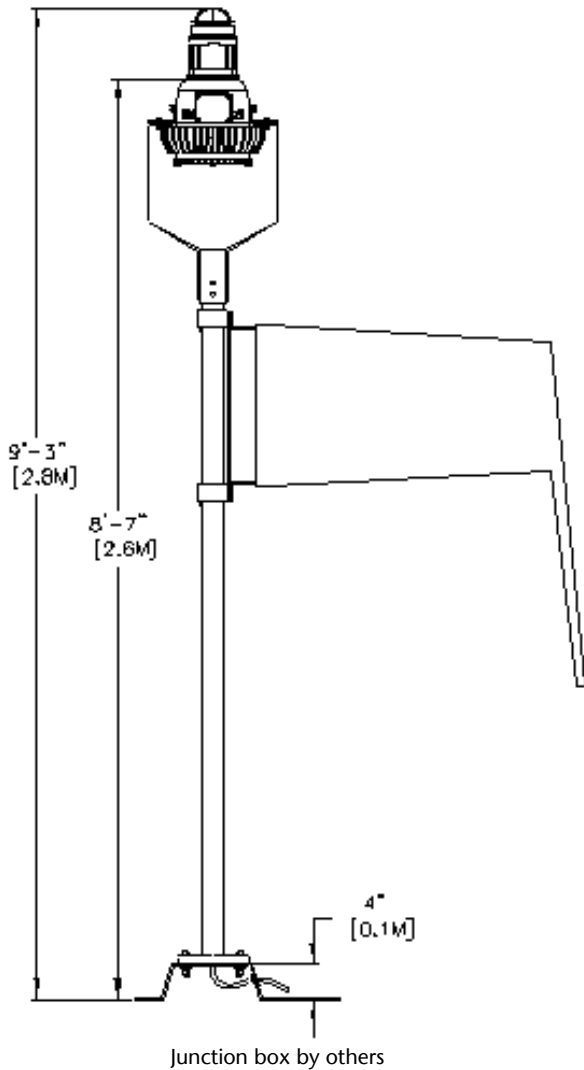


POINT WIND CONE PWC-AX LED ATEX & IECEX ZONE 1

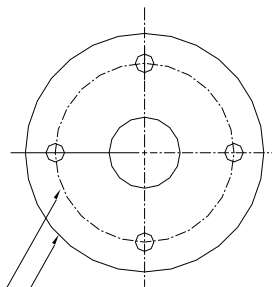
OPTION -FM FLANGE MOUNT

ATEX & IECEX WIND CONE
PWC-8061L-2-ON-AX-FM

ATEX & IECEX WIND CONE
PWC-8061L-2-ON-AX-OL-SM



FLANGE MOUNT
BOLT PATTERN



- FLANGE DIAMETER:
8-INCH [203mm]
- BOLT CIRCLE DIAMETER:
6-INCH [152mm]
- MOUNTING HOLES DIAMETER:
QTY 4: 9/16-INCH [14]