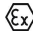




# POINT WIND CONE PWC-AX2 LED ATEX & IECEX ZONE 2

Compliances: FAA Advisory Circular 150/5390-27E Windsock  
 ICAO Annex 14, Volume II Heliports, Paragraph 5.1  
 Transport Canada TP312, Chapter 5 Visual Aids  
 UK CAA CAP 437 & American Bureau of Shipping (ABS)  
 IECEx Listed: Ex ec IIC T5 Gc -40 to +55-deg C, IP66  
 ATEX Listed:  ec IIC T5 Gc -40 to +55-deg C, IP66  
 Listed to UL 844 & UL 1598  
 Listed to UL 1598A Marine Vessels  
 Listed to CSA C22.2 No. 137-M1981 Canada



A wind cone is used to visually indicate wind direction at airports and heliports. Point Lighting wind cones are installed at offshore helidecks, heliport, hospitals, corporate headquarters and military bases around the world. ATEX & IECEx lighting is used for hazardous area requirements.

FAA Type	Size	Lighting	Power	Windsock	Rating	Options
PWC-806	1: 8-ft Sock FAA Size 1 4: 1.2m Sock ICAO	L: Lighted Style I	2: AC*  * AC range is 108-250V; 50/60Hz	ON: Orange Nylon RW: Red/White	AX2: ATEX & IECEx Zone 2	OL: Obstruction Light SM: Stand Mount FM: Flange Mount

Size 1: 8-ft sock has 18-inch diameter frame  
 Size 4: 4-ft sock per ICAO, PEMEX & HSAC

IECEx SIR 17.0085X  
 Sira 17ATEX3366X

#### Floodlight:

ABS Certificate Number: 18-HS1714308-PDA

Power – Floodlight: 28 watts

#### Obstruction Light:

ABS Certificate Number: 15HS1325629-PDA

Power – Obstruction: 2.1 watts

#### SPARE PARTS

PL11428-1	Floodlight Assembly
PL11282-1	Obstacle Light
PL10063-CH	Windsock Size 1
PL10996	Windsock Size 4
PL10289	Basket Subassembly Size 1



PWC-AX2 LED WIND CONE  
 TYPE 806 ATEX & IECEx ZONE 2



Pole is Stainless Steel 316L

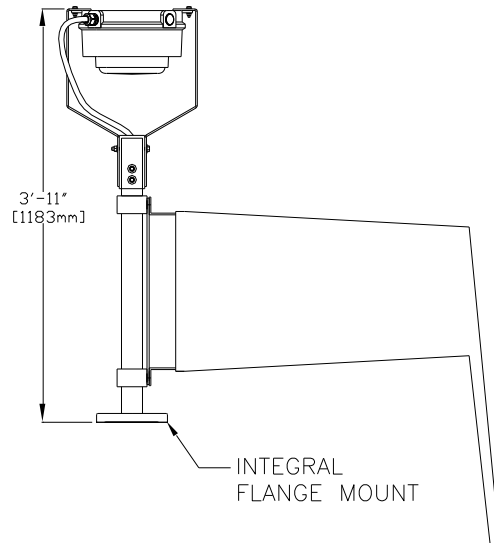
# POINT LIGHTING

## POINT WIND CONE PWC-AX2 LED ATEX & IECEx ZONE 2

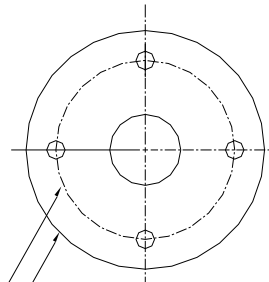
PWC-AX2 LED WIND CONE  
TYPE 806 ATEX & IECEx ZONE 2



OPTION -FM FLANGE MOUNT



FLANGE MOUNT  
BOLT PATTERN



FLANGE DIAMETER:  
8-INCH [203mm]  
BOLT CIRCLE DIAMETER:  
6-INCH [152mm]  
MOUNTING HOLES DIAMETER:  
QTY 4: 9/16-INCH [14]

