



POINT WIND CONE PWC-EX LED CLASS I, DIVISION 2 & ZONE 2

Compliances: FAA Advisory Circular 150/5390-27E Windsock
 ICAO Annex 14, Volume II Heliports, Paragraph 5.1
 Transport Canada TP312, Chapter 5 Visual Aids
 UK CAA CAP 437 & American Bureau of Shipping (ABS)
 Listed Class I, Division 2, Groups A B C D, T4A at 65-deg C
 Listed Class I, Zone 2, Group IIC, T4 at 65-deg C, IP66/67
 Listed to UL 844 & UL 1598
 Listed to UL 1598A Marine Vessels
 Listed to CSA C22.2 No. 137-M1981 Canada

A wind cone is used to visually indicate wind direction at airports and heliports. Point Lighting wind cones are installed at offshore helidecks, heliport, hospitals, corporate headquarters and military bases around the world. UL & ETL listed Class I, Division 2 lighting is used for hazardous area requirements.

FAA Type	Size	Lighting	Power	Windsock	Rating	Options
PWC-806	1: 8-ft Sock FAA Size 1 4: 1.2m Sock ICAO	L: Lighted Style I	2: AC* * AC range is 108-250V; 50/60Hz	ON: Orange Nylon RW: Red/White	EX: Class I, Division 2 Zone 2	OL: Obstruction Light Class I, Div 2 (Zone 2) SM: Stand Mount FM: Flange Mount OL-DIR: OL for NVG
Size 1: 8-ft sock has 18-inch diameter frame Size 4: 4-ft sock per ICAO, PEMEX & HSAC						

Floodlight:

ABS Certificate Number: 18-HS1714308-PDA

Power – Floodlight: 28 watts

Obstruction Light:

ABS Certificate Number: 20-RJ1944717-PDA

Power – Obstruction: 2.1 watts

SPARE PARTS

PL11428-1	Floodlight Assembly
PL10063-CH	Windsock Size 1
PL10996	Windsock Size 4
PL10289	Basket Subassembly Size 1



PWC-EX LED WIND CONE
TYPE 806 CLASS I, DIVISION 2 (ZONE 2)
SHOWN WITH OPTION –OL

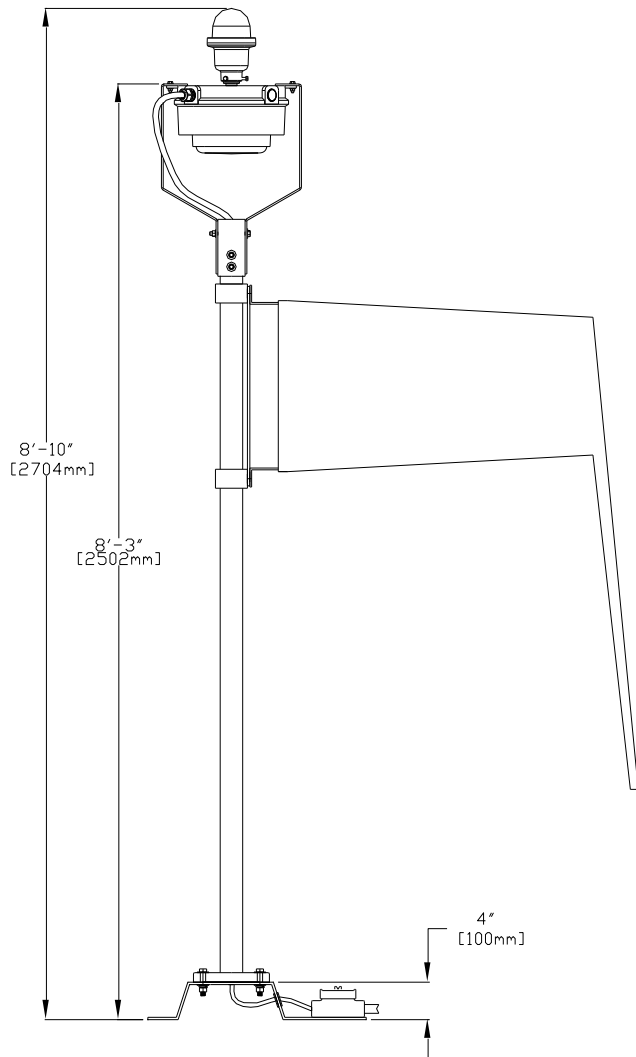


Pole is Stainless Steel 316L

POINT WIND CONE PWC-EX LED CLASS I, DIVISION 2 & ZONE 2

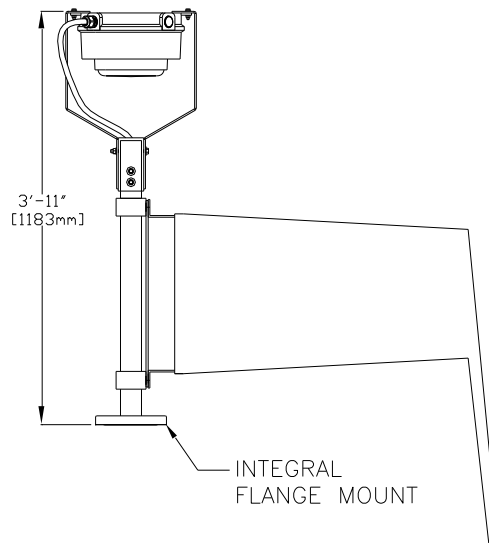
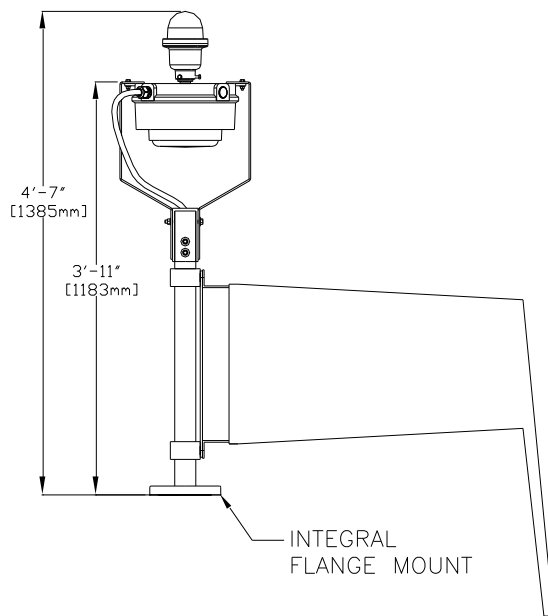
PWC-EX LED WIND CONE
TYPE 806 CLASS I, DIVISION 2
TYPE 806 CLASS I, ZONE 2
SHOWN WITH OPTIONS -OL & -SM

PWC-EX LED WIND CONE
TYPE 806 CLASS I, DIVISION 2
TYPE 806 CLASS I, ZONE 2

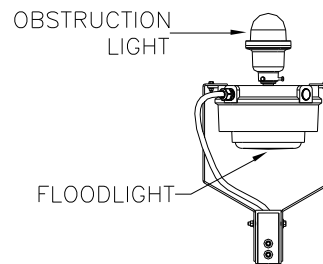


OPTION -FM FLANGE MOUNT

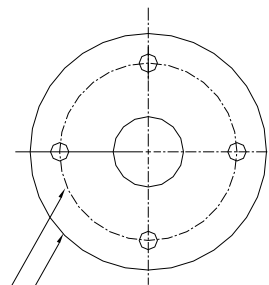
CLASS I, DIVISION 2 WIND CONE
PWC-8061L-2-ON-EX-FM-OL



LIGHTING ASSEMBLY



FLANGE MOUNT BOLT PATTERN



- FLANGE DIAMETER:
8-INCH [203mm]
- BOLT CIRCLE DIAMETER:
6-INCH [152mm]
- MOUNTING HOLES DIAMETER:
QTY 4: 9/16-INCH [14]