



# POINT FLASHING BEACON PFB LED

## WIND TURBINE OBSTRUCTION LIGHT

### FAA L-864 & L-865 ICAO TYPES A, B & C

Compliances: ETL Listed to UL 1598 & to UL 1598A Marine Vessels, IP66 & IP67  
 ETL Listed to CSA C22.2 No.250.0-04 Canada  
 ETL Verified FAA L-864 & L-865 to FAA Advisory Circular 150/5345-43J  
 Compliance to ICAO Annex 14 Medium Intensity Types A, B & C  
 Compliance to Transport Canada CL864 & CL865  
 Class I, Division 2, Groups A B C D, T5 at  $\pm 55^{\circ}$  C (option -EX)  
 Class I, Zone 2, Groups IIA IIB+H2 IIC, T5 at  $\pm 55^{\circ}$  C (option -EX)  
 Registered ISO 9001:2015  
 American Bureau of Shipping (ABS) Type Approved Product

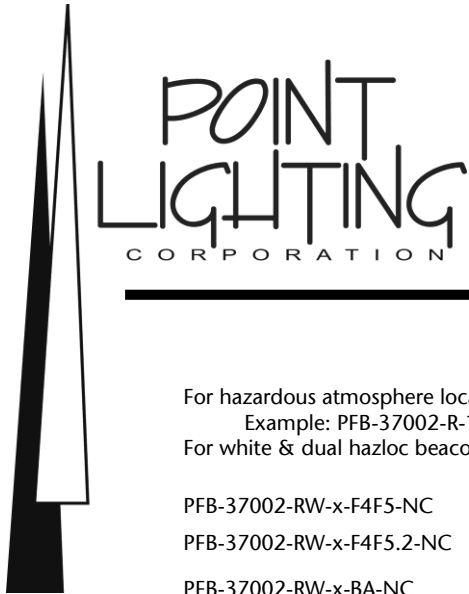
- The casting is copper-free (< 0.25%) aluminum.
- The lens is glass.
- The hardware is 316 (A4) stainless steel.
- The LED's are rated for 100,000 hours.
- IP67 rated moisture & humidity venting.
- IP66 & IP67 tested and listed.
- Standard with the exclusive Point Lighting Marine Treatment finish that is bonded to the metal and far exceeds the corrosion resistance of the standard FAA approved finish. See page 2.
- Six (6) years limited warranty subject to Point Lighting "Terms & Conditions of Sale".

Point Type	Color	Voltage	Options & Accessories
PFB-37002	R: Red	1: AC 96 to 264V, 50/60 Hz	EX: Class I, Division 2 (Zone 2) Hazardous Location NC: Required for all



PFB-37002-RW-1-F4F5-NC  
 FAA DUAL RED-WHITE BEACON  
 THE BEACON FLASHHEAD IS SHOWN  
 POWER SUPPLY IS INCLUDED BUT NOT SHOWN





# POINT FLASHING BEACON PFB LED

## WIND TURBINE OBSTRUCTION LIGHT FAA L-864 & L-865 ICAO TYPES A, B & C

### BEACON SELECTION TABLE

For hazardous atmosphere locations requiring Class I, Division 2 (Zone 2), insert -EX after the voltage digit.  
 Example: PFB-37002-R-1-EX-F4                      All beacons include marine treatment as standard.  
 For white & dual hazloc beacons, the power supply (PS) is also Class I, Division 2.

PFB-37002-RW-x-F4F5-NC	Red-White	FAA L-864 & L-865 dual red/white flashing beacon 120v
PFB-37002-RW-x-F4F5.2-NC	Red-White	FAA L-864 & L-865 dual red/white flashing beacon 220v
PFB-37002-RW-x-BA-NC	Red-White	ICAO Types B & A dual red flashing/white flashing
PFB-37002-RW-x-CA-NC	Red-White	ICAO Types C & A dual red steady/white flashing
PFB-37002-RW-x-T4T5-NC	Red-White	TC CL864 & CL865 dual red/white flashing beacon

Note: Every dual (red-white) beacon includes the flashhead (FH) and the separate wall-mounted power supply (PS).  
 Maximum distance of the PS to the FH is 30m.

#### OPTIONS:

- NC    NVG Compatibility for night vision. This is standard for all beacons and must be added to the catalog number.
- CLxx    Cable Loop 3m is included. For longer specify this option. Example: -CL06 is a 6m cable loop. Limit is 30m.

#### STANDARD FINISH: MARINE TREATMENT

Our Marine Treatment tolerates marine, high salt content air and other corrosive environments. The FAA specified finish used by competitors flakes and fails in a short time under such conditions.

Point Lighting Corporation is the only obstruction lighting manufacturer that offers this standard finish. We are the foremost manufacturer of marine offshore helideck lighting operating in severe environments.

*The fixture shall be treated for marine conditions by cleaning per US Department of Defense TT-C-490 method III, pretreated with chrome-free aluminum conversion coating per US MIL-C-5541 type II, epoxy powder base coat primer and glossy polyester powder coat finish. Powder coating per US Department of Defense MIL-PRF-24712A type VI and oven cured.*

#### PFB BEACON VENTED TO IP67 & HAZARDOUS LOCATIONS FOR PREVENTION OF MOISTURE INGRESS

Severe environmental conditions with varying temperatures and humidity cause an air pressure differential that results in seal failure of IP66 and IP67 enclosures. Certified fixtures and enclosures begin to leak moist air which the temperature changes turn into condensation. This water can cause failure of the electronic components and corrosion of the metal parts and housing. Point Lighting Corporation uses a very fine pore membrane vent that allows air to pass freely, but water, dust and dirt are prevented from entering. The vent is certified to IP66 & IP67, IEC 600-2-78 humidity, IEC60068-2-11 salt fog, GR-3108-CORE corrosive gases and other IEC standards.

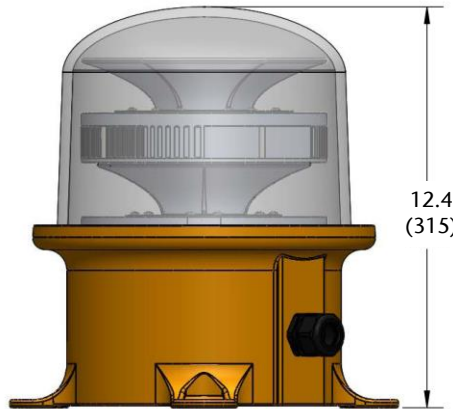


**FAA PHOTOELECTRIC  
CONTROLLER  
PPC-40702-1-34T-OS  
INCLUDES OVERRIDE SWITCH**



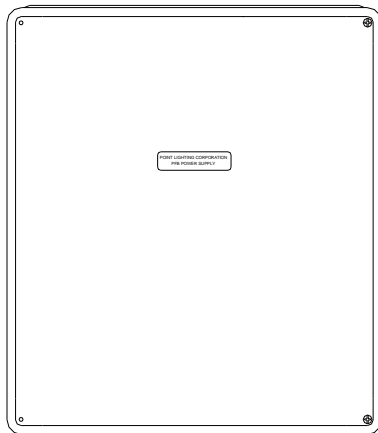
# POINT FLASHING BEACON PFB LED

WIND TURBINE OBSTRUCTION LIGHT  
FAA L-864 & L-865  
ICAO TYPES A, B & C



Dimensions: Inches  
(mm)

PFB POWER SUPPLY  
FIBERGLASS ENCLOSURE  
For each dual beacon



NEMA 4X ENCLOSURE: 17.36(441) x 15.3(389) x 6.67(169)  
INCHES(mm)            H            W            D  
ENCLOSURE MOUNTING PATTERN: 16.73(425) X 12(305)  
MOUNTING HOLE DIAMETER (QTY 4): 0.32(8)  
ENCLOSURE MATERIAL: FIBERGLASS

## FAA DUAL RED/WHITE BEACON \*

Intensity:	20,000 candelas white day 2,000 candelas red night As defined by FAA L-864/865 Advisory Circular 150/5345-43]
Wattage:	422.0 watts AC peak (day) 84.0 watts AC average (day) 58.4 watts AC peak (night) 7.0 watts AC average (night)
Volt-Amps:	428.0 VA AC peak (day) 112.0 VA AC average (day) 63.5 VA AC peak (night) 24.0 VA AC average (night)
Input Range:	AC only; see voltage range page 1
Temp Rating:	± 55° C per FAA certification test
LED Life (hours):	100,000
Weight:	26 lbs    11.8 kg
Mounting:	4 Holes on 10.5-inch circle

\* Note: Each dual beacon assembly consists of a flashhead (FH) and a separate wall-mounted power supply (PS). The PFB PS is connected to the FH by cable loop PL10828-20 which exits the beacon. Conductors are #16 AWG. The maximum cable run length is 30m.