

POINT OBSTRUCTION LIGHTS POL LED v7 POINTSPEC® SERIES

Compliances: Verified to L-810 to FAA AC 150/5345-43J at -55 deg C to +55 deg C
 Compliance to ICAO Annex 14 Low Intensity Types A (10 cd) & B (32 cd)
 Listed to UL 1598 at -40 deg C to +55 deg
 UL Tested & Certified to IP66 & IP67 Ingress Protection
 FAA Engineering Briefs 67D & 98; Registered ISO 9001: 2015

- Red & IR LED onboard failure monitoring.
- Alarm monitoring available.
- The hardware is 316 (A4) stainless steel.
- The LED's are rated for 100,000 hours.
- Solar powered available.
- NVG compatibility is standard.
- The casting & lens are specially engineered forms of polycarbonate materials.
- Suitable for outdoor use with respect to exposure to ultraviolet light, water exposure & immersion in accordance with UL 746C (f1).
- Six (6) years limited warranty subject to Point Lighting "Terms & Conditions of Sale".

Point Type	Power	Standard	Color	Mounting	Style
POL-21007	1: 96-305v AC 5: 10.8v DC to 52.8v DC	F: FAA B: ICAO A/B	R: Red	34B: ¾-inch, Bottom 34L: ¾-inch, Unilet 10B: 1-inch, Bottom M20B: Metric M20 M25B: Metric M25	S: Single S3: Single & junction box S2: Single w/alarm line S2.3: Single w/alarm line & junction box D: Double w/both heads ON D2: Double w/transfer to standby & alarm D2.2: Double w/both heads ON & alarm D3: Double w/transfer, alarm & pilot light

Power Consumption per Head:

Voltage	Amps	VA	Watts
120	0.05	5.96	3.49
220	0.03	6.69	3.44
277	0.03	7.04	3.47
12	0.10		1.28
24	0.05		1.27
48	0.02		1.29



- Option -P: FAA Photoelectric Control
Adds a prewired FAA PEC to -S2.3 or double
- Option -BKTU: Universal bracket kit for POL
- Option -SF: Slipfitter 2.375-in stainless steel
- Option -UPS: Battery backup; see page 4
- Option -SOL: Solar Powered; see page 2 & 3
- Option -PM: Solar array post mount max 3.0-in OD

POL-21007-1x-R-34B-S3
SINGLE OBSTRUCTION LIGHT
WITH JUNCTION BOX



POL-21007-1x-R-34B-S
SINGLE OBSTRUCTION LIGHT



POL-21007-1x-R-34B-D
DOUBLE OBSTRUCTION LIGHT



SOLAR POWERED POL-21007 OBSTRUCTION LIGHTS

Choose one of the catalog numbers below to receive the mounting arrangement displayed in the graphic.

The POL-21007 is the proper selection for FAA L-810 certification as verified by Intertek Testing Service.

The light will operate at night automatically year round anywhere the solar irradiance is greater than 1.0 kWh/m²/day (>1.2 for -D2.2).

Important - All POL-SOL systems by definition include:

- POL-21007 fixture
- Option -BKTU wall-post bracket** for the POL
- Option -CF cable fitting
- 3-meters SOW cable loop to the solar controller
- Solar array & solar controller with battery
- Floor-roof brackets* for the solar array

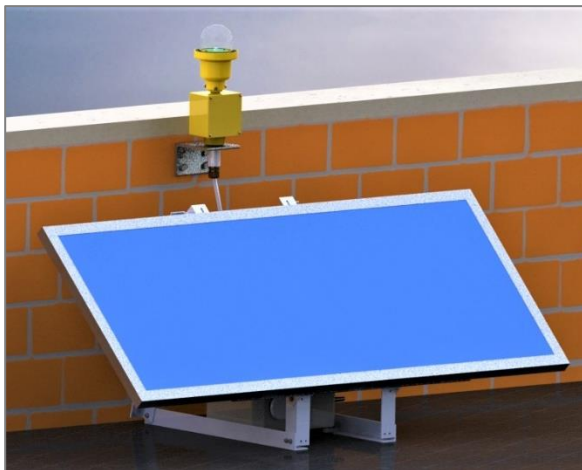
* Addition of option -PM changes to post brackets for the array & includes BKTU setup.
** See page 5 for the POL bracket details.



POL-21007-5x-R-34B-D2-SOL-PM
POL-21007-5x-R-34B-D-SOL-PM



POL-21007-5x-R-34B-D2-SOL
POL-21007-5x-R-34B-D-SOL



POL-21007-5x-R-34B-S3-SOL

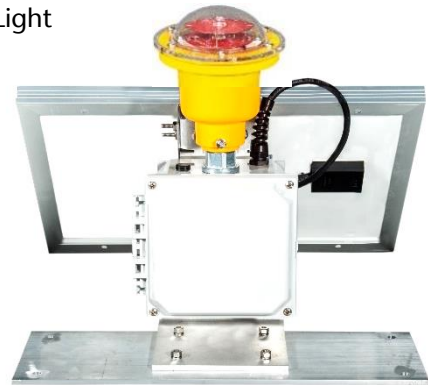


POL-21007-5x-R-34B-S3-SOL-PM

POINT LIGHTING

POINT OBSTRUCTION LIGHTS POL LED v7 POINTSPEC® SERIES

POL-21007-5x-R-SOL-FP
All-In-One Portable or Fixed
Solar Powered Obstruction Light
Ships complete as shown



* Site solar insolation minimum:

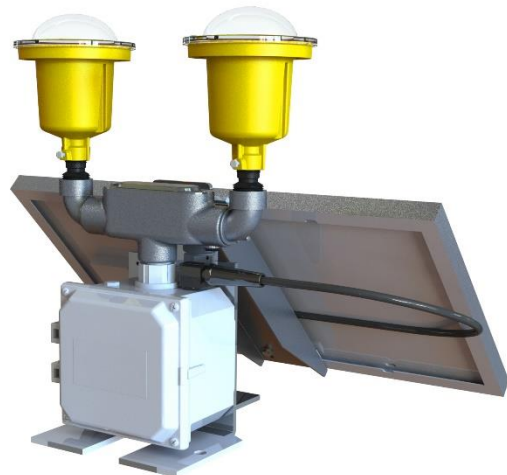
- SOL 2.0 kWh/m2/day
- SOLX 1.3 kWh/m2/day

- Autonomy is 4.4 days* battery capacity without sun
- For any location in the world. See solar insolation chart below.
- May be screwed down to a flat surface or clamped
- No switching required.
Operates automatically all night & turns off in the morning

POL-21007-5x-R-SOL-PM
SINGLE OBSTRUCTION LIGHT
SOLAR POWERED
WITH OPTION -PM POST MOUNT



POL-21007-5x-R-D-SOL
SOLAR POWERED DOUBLE OBSTRUCTION LIGHT



Minimum solar insolation requirements provided are based on a temperature of 32-deg F (0-deg C). Locations with temperatures below freezing will have a reduced battery capacity and will require higher solar insolation values. Extremely low temperature sites may not be compatible with solar power. Consult the factory for assistance.



UNINTERRUPTIBLE POWER SUPPLY OPTION -UPS PL11609-1 UPS UNIT

Note: Add option -UPS for a one POL or purchase PL11609-1 to power multiple POL obstruction lights and/or PFB-37003 flashing red beacons. It may also be used for a standalone PFB-37004 white or dual red-white beacon.

Required: For one POL, add option -P. For multiple lights, add one PPC-40700-1-34T on the output (load side) of PL11609-1 UPS unit.

See chart below for estimated run-times.

Note: Intended for emergency use only; do not use for regularly scheduled shutdowns of power such as nights and weekends.

For use with a POC system controller, the POC must be 120V and the PL11609-1 must be installed on the power feed to the POC (i.e. upstream of the POC & PPC).

Features & Functions:

- Automatic operation upon loss of power & upon restoration of power.
- Automatic battery charging.
- AC power Input: 96-264V AC
- Temperature range: -20-deg C (-4-deg F) to +55-deg C (131-deg F)
- The UPS sends 120V AC to the load. Use universal AC or 120V lights.
- Battery low voltage disconnect to protect the battery.
- The output to the load has a true pure sine wave.
- NEMA 4X (IP66) fiberglass enclosure.
- Includes 2 x 3/4-inch NPT hubs and 1 x 3/4-inch cable gland.

CHART 1: RUN-TIME IN NUMBER OF NIGHTS (12 HOURS)										
	0 POL	1 POL	2 POL	3 POL	4 POL	5 POL	6 POL	7 POL	8 POL	9 POL
0 PFB	x	9.4	5.4	3.8	2.9	2.3	1.9	1.6	1.4	1.2
1 PFB	5.8	3.9	2.9	2.3	1.9	1.6	1.4	1.3	1.1	1.0
2 PFB	3.0	2.4	1.9	1.6	1.4	1.2	1.1	1.0	0.9	0.8
3 PFB	2.0	1.7	1.4	1.3	1.1	1.0	0.9	0.8	0.8	0.7
4 PFB	1.5	1.3	1.2	1.0	0.9	0.9	0.8	0.7	0.7	0.6

Notes on run-times and battery capacity:

- FAA photocontrol is required as either -P for one light or use PPC-40700-1-34T.
- Based on POL-21007-1F series. For POL-21005-1B, count each POL as a PFB-37003.
- Run-times are based on a 77-deg F (25-deg C) ambient temperature.
- Battery capacity will be between 65-85% at 0-deg C (32-deg F)
- Battery capacity will be between 25-45% at -20-deg C (-4-deg F)
- "POL" means POL-21007-1F-R number of operating heads.
- "PFB" means PFB-37003-R-1 flashing red beacon.



POINT LIGHTING

POINT OBSTRUCTION LIGHTS POL LED v7 POINTSPEC® SERIES

POL-21007-1x-R-34F-S2.3
SINGLE OBSTRUCTION LIGHT
WITH SIDE-WALL MOUNT JUNCTION BOX



POL-21007-1x-R-34B-D-P
DOUBLE OBSTRUCTION LIGHT
WITH PREWIRED FAA
PHOTOELECTRIC CONTROL



POL-21007-1x-R-34B-S3-P
SINGLE OBSTRUCTION LIGHT
WITH JUNCTION BOX & PREWIRED
FAA PHOTOELECTRIC CONTROL

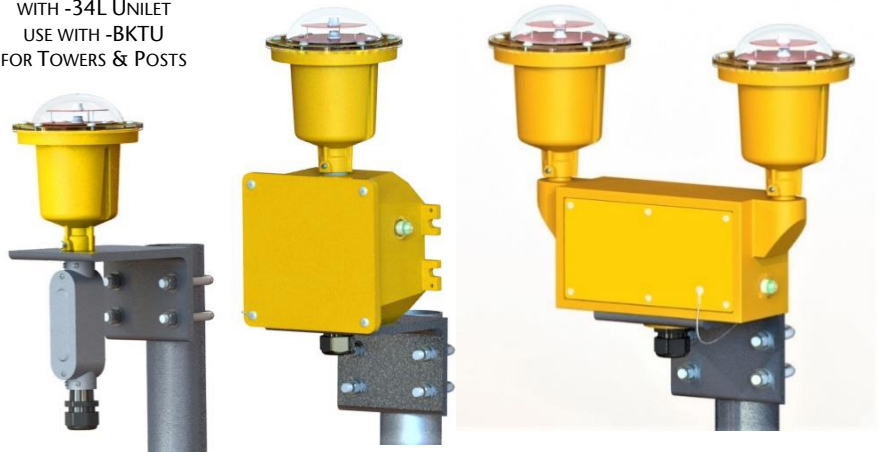


POL-21007-1x-R-34B-S-SF
SINGLE OBSTRUCTION LIGHT
WITH 60MM SLIPFITTER
FITS 2-3/8-INCH TENON



POL-21007 SINGLE & DOUBLE WITH OPTION -BKTU
MAY BE WALL-MOUNTED OR POST-MOUNTED. THE POST MAY BE CONDUIT
OR PIPE TO A MAXIMUM OUTSIDE DIAMETER OF 3-INCHES (76MM).
THIS BRACKET IS INCLUDED IN ALL SOLAR POWER VERSIONS (-SOL)

POL-21007 SINGLE
WITH -34L UNILET
USE WITH -BKTU
FOR TOWERS & POSTS



FAA PHOTOELECTRIC CONTROLLER
FOR A CIRCUIT OF POL'S
PPC-40700-1-34T SEE FILE OL410



WEIGHT & DIMENSIONS

	Weight		Height		Width		Depth	
	lb	kg	in	mm	in	mm	in	mm
POINTSPEC Single:	1.0	0.45	6.6	(169)	5.5	(140)	5.5	(140)
POINTSPEC Double:	6.2	2.8	12.2	(309)	15.8	(401)	5.5	(140)
Wind Loading:	Effective Projected Area (EPA) for POINTSPEC Lights							
	Double: 0.63 sq ft		Single (no box): 0.15 sq ft		Single (with box): 0.42 sq ft			



Intertek



POINT LIGHTING CORPORATION

Mail: P.O. Box 686, Simsbury, CT 06070
Tel 01 860.243.0600
email: Info@PointLighting.com

USA

Plant: 61-65 W. Dudley Town Rd, Bloomfield, CT
Fax 01 860.243.0665
website: www.PointLighting.com