



POINT STATUS LIGHTS PSL-AX ATEX-IECEX ZONE 1 & 2 HELIDECK STATUS LIGHT SYSTEM

Compliances: IECEx Listed: Ex db eb op is IIB T6 Gb Ta -40 to +55-deg C, IP66 & IP67
 ATEX Listed: Ex II 2 G Ex db eb op is IIB T6 Gb Ta -40 to +55-deg C, IP66 & IP67
 UK CAA CAP 437 Offshore Helideck Status Light System
 Registered ISO 9001:2015
 IMO 2009 MODU Code (2010) paragraph 13.5.26
 ABS Green Passport per MEPC179 (59)



The Status Light system consists of one or two flashing red LED main status lights visible from any direction of approach and on any landing heading. If a condition exists on an installation which may be hazardous for the helicopter or its occupants a visual warning system should be installed. The aeronautical meaning of the flashing red light is either *Do not land, aerodrome not available for landing* or *Move clear of landing area*. The system may be automatically initiated by means of a remote alarm signal (by others) as well as manual activation.

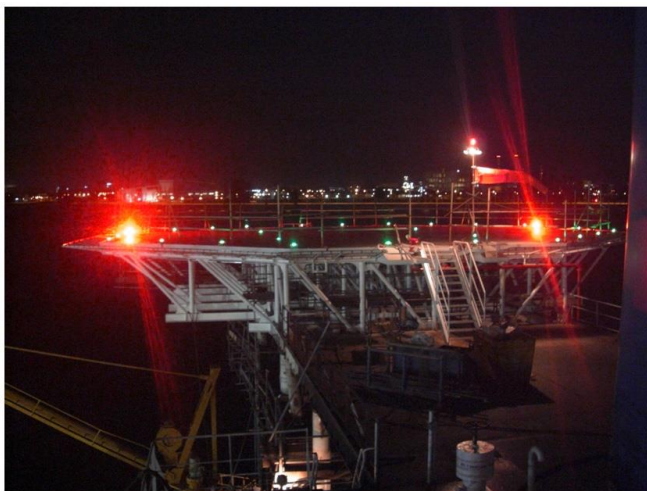
- The castings are copper-free (< 0.25%) aluminum.
- The lens is glass.
- The hardware is 316 (A4) stainless steel.
- The LED's are rated for 100,000 hours.
- Less than 250mm height.
- IP66 & IP67 tested and listed.

| System | Color | Voltage | Main Lights | ATEX | Options |
|-----------|--------|---|----------------------------|-------------------------|--|
| PSL-35002 | R: Red | 1: 120 volts AC 2: 220-240V AC 4: 24 volts DC | 1B: One (1) 2B: Two (2) | AX: Zone 1& 2 AX2: * | A: Combo PHC^ 15CM: Height < 150mm 10: 1-inch NPT entries** M20: Metric entries M25: Metric entries 1R: One (1) Repeater Light 2R: Two (2) Repeater Lights LTP: Lamp Test Pushbutton ROS: Remote Operator Station*** ROSAX: as above for zone 1 |

* System -AX has zone 1 lights only with safe area control unit.
 System -AX2 has zone 1 lights and zone 1 control unit.
 ^ A "combination" PHC is when the PSL control unit is integral with the PHC. Option -A designates the PSL for a combo PHC.
 CONSISTS OF A COMBINATION OF LIGHTS AS SHOWN ON PAGE 3.

** Standard with 3/4 inch NPT
 *** Safe area; see details page 2

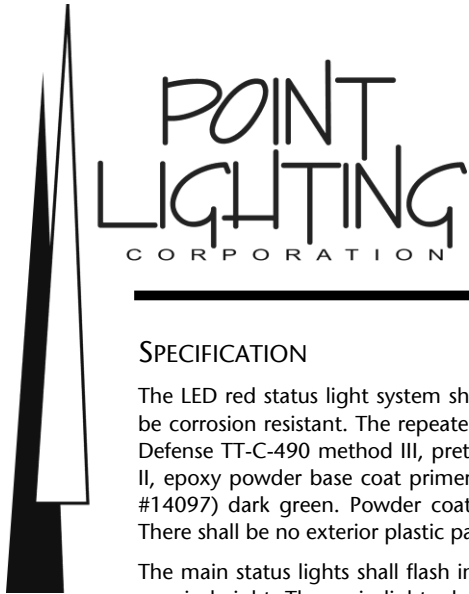
PSL SYSTEM UNDERGOING COMMISSIONING TEST IN SINGAPORE



MAIN STATUS LIGHT



ATEX Certificate Number: CML 17ATEX1250X
 IECEx Certificate Number: IECEx CML 17.0141X



POINT STATUS LIGHTS PSL-AX ATEX-IECEX ZONE 1 & 2 HELIDECK STATUS LIGHT SYSTEM

SPECIFICATION

The LED red status light system shall comply with UK CAA CAP 437. All exterior aluminum cast beacon parts shall be corrosion resistant. The repeater lights shall be treated for marine conditions by cleaning per US Department of Defense TT-C-490 method III, pretreated with chrome-free aluminum conversion coating per US MIL-C-5541 type II, epoxy powder base coat primer and glossy polyester powder coat finish in color RAL 6003 (FED-STD-595 color #14097) dark green. Powder coating per US Department of Defense MIL-PRF-24712A type VI and oven cured. There shall be no exterior plastic parts; all shall be cast aluminum, glass and stainless steel.

The main status lights shall flash in sync if two or more are installed. Each main status light shall be less than 250 mm in height. The main lights shall be capable of manually set reduced intensity which will similarly synchronize flashing when in use. Additional repeater lights may be installed at the landing area and shall not exceed 150 mm in height. The repeater lights shall be at the reduced intensity level.

The system may be switched ON by a remote signal or manually. When ON, the system may be manually switched to reduced intensity. After 30 minutes, the system will automatically revert to normal intensity. Failure of any light will display as an alarm at the controller.



| | | |
|-------------------------|---------------------------------|--|
| Intensity: | | |
| Main Status Light | > 700 candelas | |
| Flash Rate: | | |
| Main Status Light | 120 per minute | |
| Intensity: | | |
| Reduced Intensity Light | < 60 candelas | |
| Flash Rate: | | |
| Reduced Intensity Light | 60 or 120 per minute selectable | |



Main Status Light 50/60 Hz

| | | |
|----------------------|--------------------------------|------------------------|
| Wattage: | 42.0 watts | AC Peak |
| Volt-Amps: | 66.0 VA | AC Peak at 120V |
| | 78.3 VA | AC Peak at 220V |
| Dimensions: | Length: | 11.1 (282) Inches (mm) |
| | Width: | 12.9 (327) |
| | Height: | 9.8 (249) |
| Weight: | 25.0 lbs | 11.3 kg |
| Mounting: | 4 Holes on a 12.5 (318) circle | |
| Input Voltage Range: | 93 to 144 volts | (120V AC unit) |
| | 187 to 264 volts | (220V AC unit) |
| | 21.6 to 26.4 volts | (24V DC unit) |

Options –ROS and –ROSAX Remote Override Station

Provides for emergency remote manual operation of the status light system. When ordered, this station uses line voltage and connects to the "RTO" terminal block in the PSL system control unit. For a third party detection system intended to automatically activate the PSL system, the detection system control wire must provide line voltage matching the PSL to the ROS. The ROS switch will normally be set in the AUTO position, but may be manually switched to ON.

Note: For PSL systems without the ROS option, the third party detection system control wire connects directly to the "RTO" terminal block in the PSL system control unit.



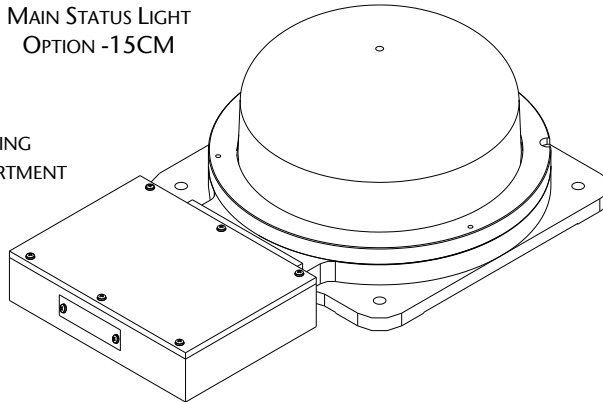
POINT STATUS LIGHTS PSL-AX ATEX-IECEX ZONE 1 & 2 HELIDECK STATUS LIGHT SYSTEM

REDUCED HEIGHT MAIN LIGHT – 150 MM

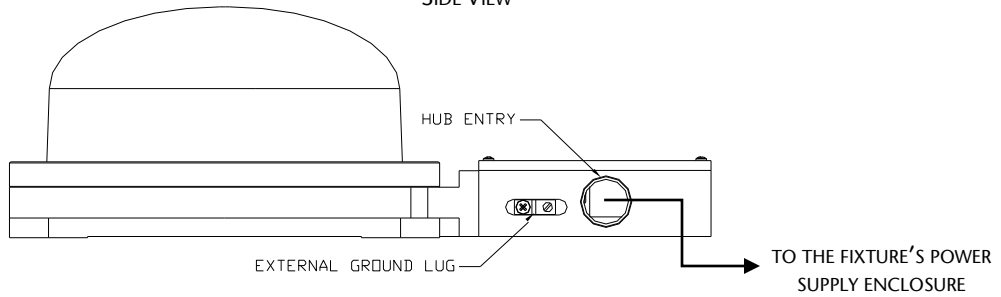
OPTION -15CM

MAIN STATUS LIGHT
OPTION -15CM

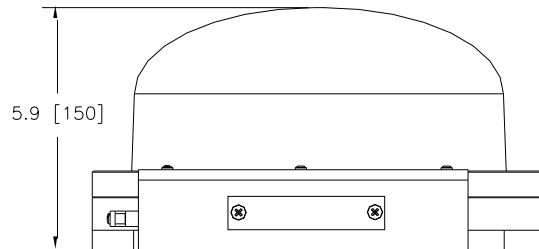
WIRING
COMPARTMENT



SIDE VIEW

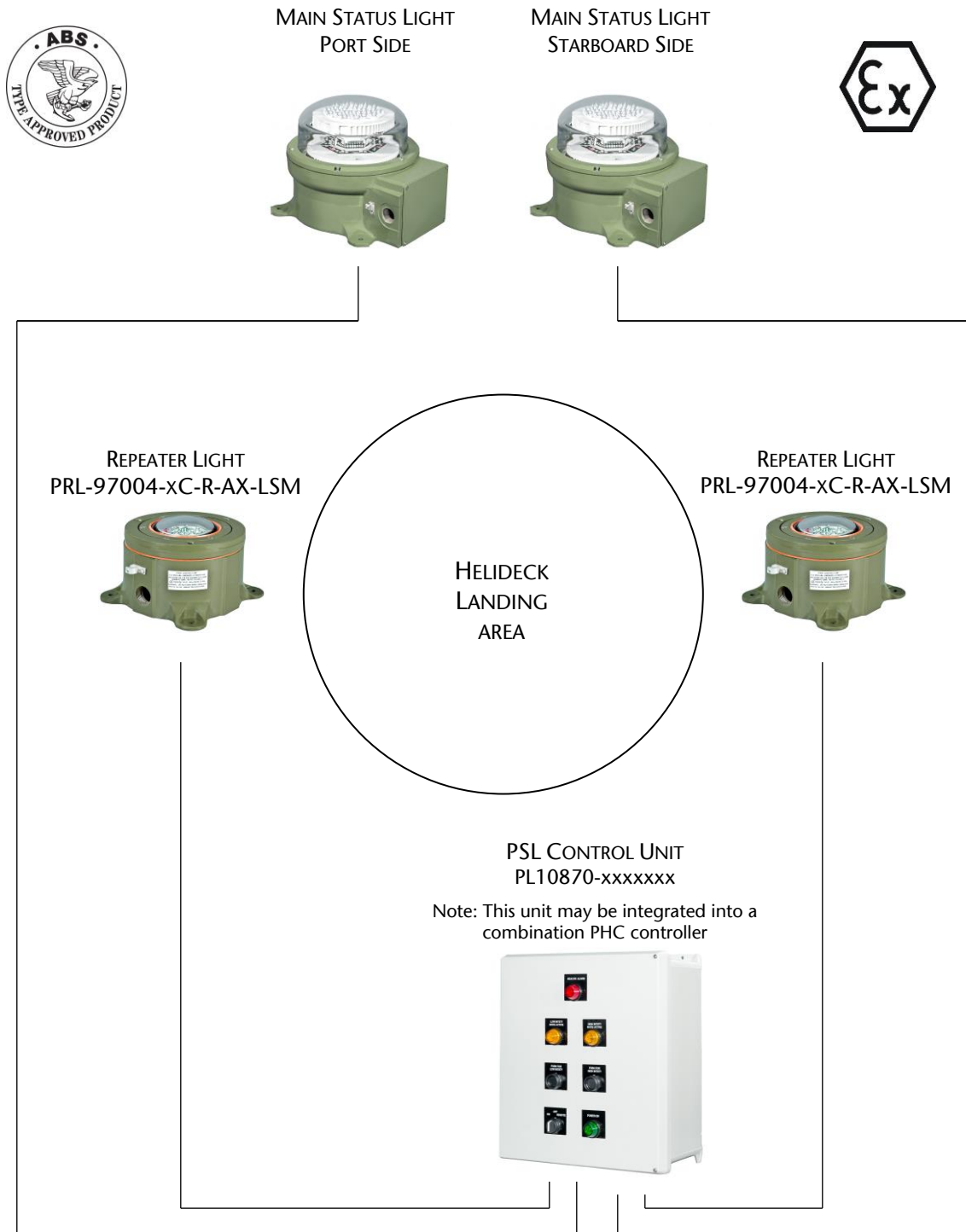


REAR VIEW



POINT STATUS LIGHTS PSL-AX

TYPICAL ARRANGEMENT



POINT LIGHTING CORPORATION

Mail: P.O. Box 686, Simsbury, CT 06070
Tel 01 860.243.0600
email: Info@PointLighting.com

USA

Plant: 61-65 W. Dudley Town Rd, Bloomfield, CT
Fax 01 860.243.0665
website: www.PointLighting.com