



# POINT SURFACE FLOODLIGHT PSF LED HELIPORT LOW PROFILE FLOODLIGHT SAFE AREA & HAZARDOUS AREA

Compliances: ETL Listed to UL 844 (option -EX) & UL 1598  
 ETL Listed to UL 1598A Marine Vessels, IP66 & IP67\*\*  
 ETL Listed to CSA C22.2 & No. 250.0:2008 Canada  
 ETL Listed Class I, Division 2, Groups A, B, C, D, T5 (option -EX)  
 ETL Listed Class I, Zone 2, Groups IIA & IIB+H, IIC, T5 (option -EX)  
 Registered ISO 9001:2015  
 American Bureau of Shipping (ABS) Type Approved Product

The PSF-5306x is a well-controlled very low height LED surface mounted helipad and helideck floodlight. The fixtures beam is tightly controlled vertically and horizontally spreads nicely across the surface. The purpose of the PSF is to provide light "washing" the landing surface that provides improved conspicuity and depth perception to the pilot. There is a cable loop that exits the rear of the floodlight. It may be installed as a 2-inch height light directly on the surface or trunnion mounted from greater elevation. Standard with adjustable L-brackets and black anodized finish.

## Point Type

PSF-53063-6 AC only: 96-305V, 50/60 Hz & High Intensity  
 PSF-53062-3 DC only: 10.8-26.4V & Medium Intensity

### PSF-53063-6 HIGH INTENSITY



	<u>PSF-53062</u>	<u>PSF-53063</u>
Intensity:	2,052 lumens	4,725 lumens
Peak:	6,977 candelas	14,175 candelas
Power:	21.3 W (DC)	32.2 W 34.1 VA (AC)

LED rated average life: 100,000 hours

### Temperature Range:

53062	-40 to +50 deg C
53063	-40 to +55 deg C

Frequency: 50/60 Hz  
 Ingress Rating: IP66 & IP67 \*\*  
 Weight: 8.0 lbs (3.6 kg)

L-brackets will adjust overall height to between 2.0 & 2.6-inches. The beam angle may be adjusted vertically between +15 degrees & -15 degrees.

All external hardware is grade 316 (A4) stainless steel.

Metal castings are copper-free (< 0.2%) heat treated aluminum.

## Options

V: Visor, 6-inch projection  
 T: Trunnion Mount  
 SF: Slipfitter, Stainless Steel\*  
 2P: Frangible Coupling, EMT\* Detail H54  
 BOL: Portable Battery Powered DC  
 SOL: Portable Solar Powered DC\*\*\*  
 PLB: Base & Baseplate\*  
 PLS: Shallow Base & Baseplate\* Detail H58  
 JBS: Junction Box, Surface\* Detail H59  
 JBP: Junction Box, Parapet\*  
 JB: External Junction Box Details H70 & H71  
 JBX: External Junction Box Class I, Div 2  
 EX: Class I, Division 2 (Zone 2)  
 PSF-53063 only  
 RF: Wireless switching by handheld device^

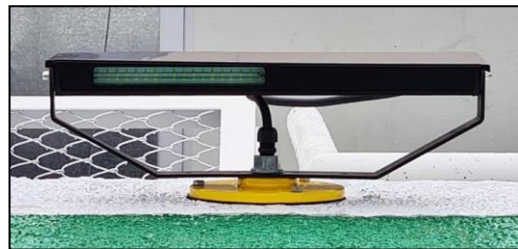
^ For PSF-BOL battery light only

\* Requires option -T

\*\* PSF-53063 is IP67; both are IP66

\*\*\* PSF-53062-3 with wireless ON-OFF operation

### PSF-53063-6-T-PLS



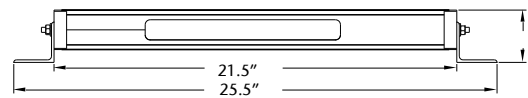
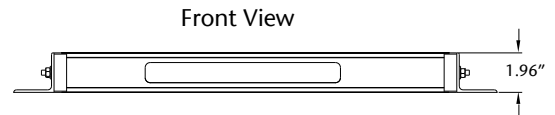
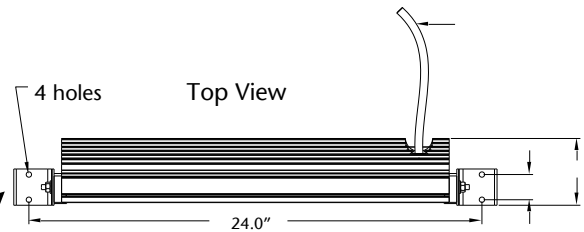
HL208 September, 2020

**POINT SURFACE FLOODLIGHT  
PSF LED  
HELIPORT LOW PROFILE FLOODLIGHT  
SAFE AREA & HAZARDOUS AREA**

PSF-53063-6 BRIGHTNESS CONTROL 10% TO 100%

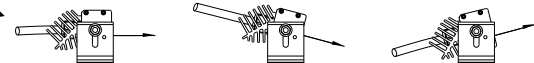
PSF-53063 is compatible with Point Lighting brightness control technology. Brightness control requires the use of a PHC-66002 lighting system controller with option BC. The brightness is continuously variable from 10% to 100%. This floodlight brightness control is unrelated perimeter light -VB 3-step brightness control.

PSF-53063-6-T HIGH INTENSITY  
WITH TRUNNION



PSF-5306x

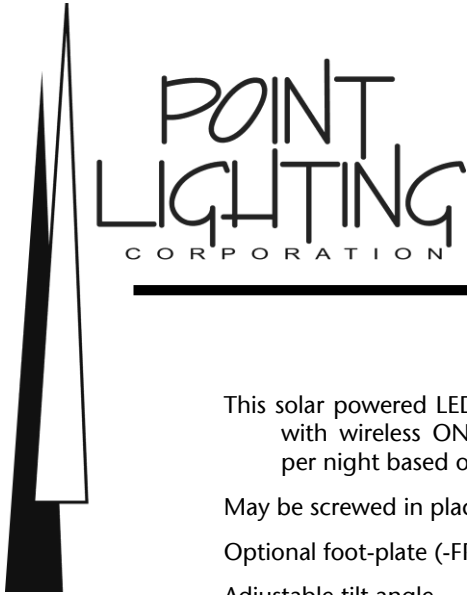
Standard with adjustable "L" brackets for floor mounting. The floodlight may be tilted a maximum of 15 degrees up or down.



PSF-53062-3-BOL

Battery Powered Portable Surface Floodlight

- Two (2) hours total run-time
- 7,000 candelas
- Rechargeable AGM battery
- Optional wireless operation (-RF)
- Carrying handle
- May be staked or weighted in place
- Made in USA



# POINT SURFACE FLOODLIGHT PSF LED HELIPORT LOW PROFILE FLOODLIGHT PORTABLE SOLAR POWERED

---

## PSF-53062-3-SOL

This solar powered LED surface floodlight is a full brightness 7,000 candelas flood with wireless ON-OFF operation to a maximum run-time of two (2) hours per night based on 20-deg C ambient. Run-time is reduced in cold weather.

May be screwed in place.

Optional foot-plate (-FP) for staking or weighting with sandbags or blocks.

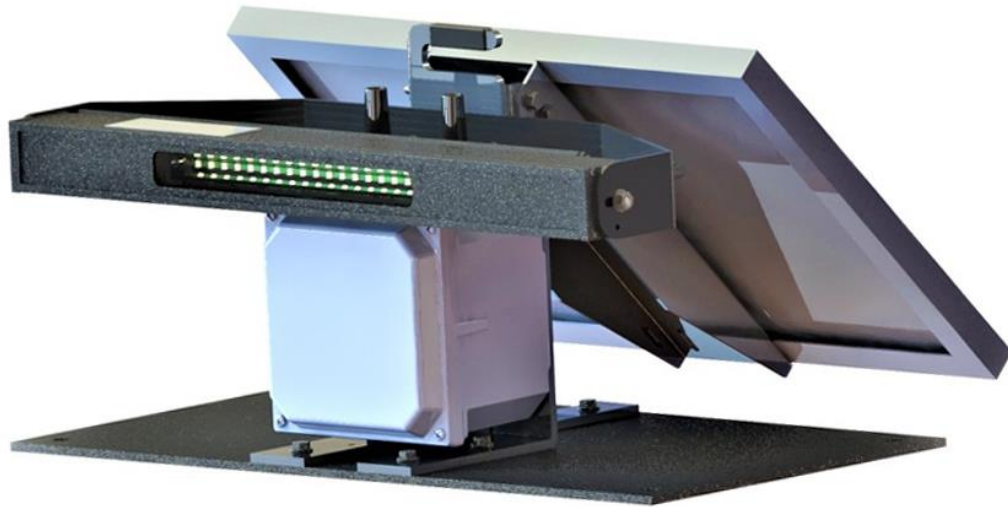
Adjustable tilt angle.

Onboard wireless signal receiver & antenna for ON-OFF operation.

Wireless activation with a simple key fob transmitter PL11437-TRANS.

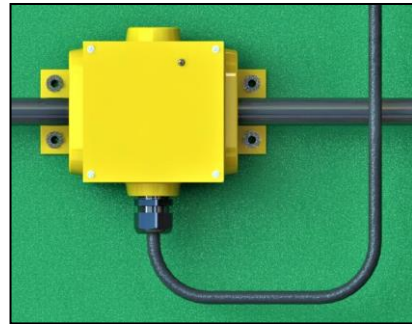
Tested and certified to ingress protection IP66.

## PSF-53062-3-SOL Solar Powered Portable Surface Floodlight



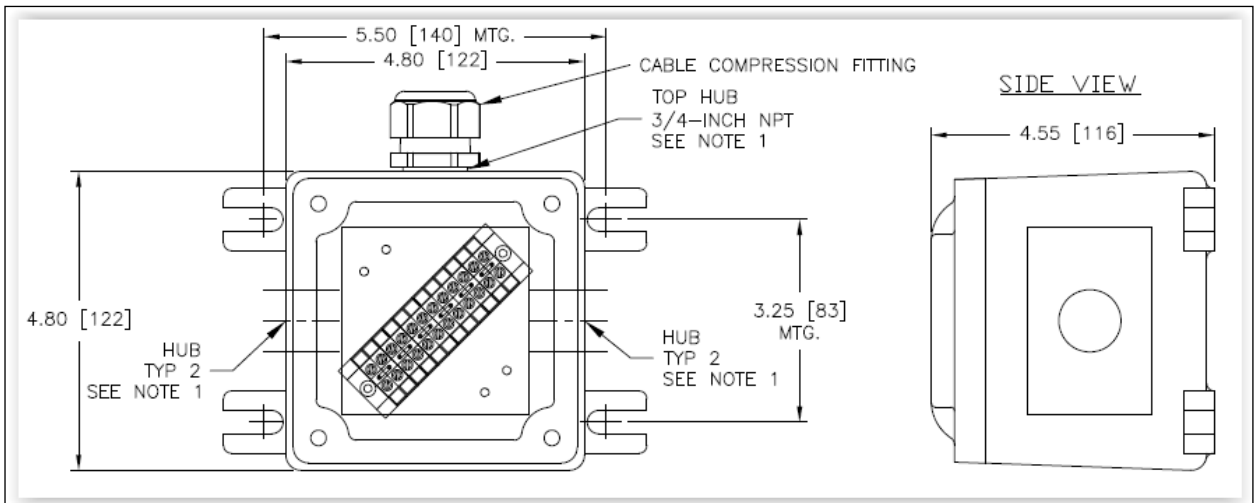
**POINT SURFACE FLOODLIGHT  
PSF LED  
HELIPORT LOW PROFILE FLOODLIGHT  
EXTERNAL JUNCTION BOXES**

**Option -JB**  
Safe Area External Junction Box  
for use with PSF-53063-6  
& PSF-53062

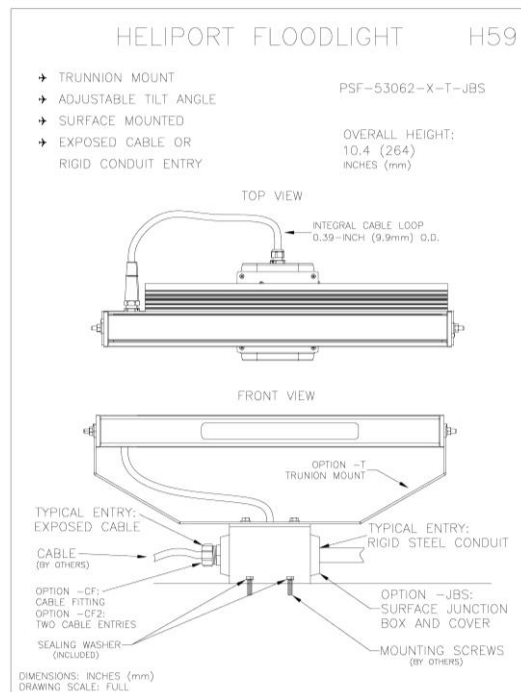
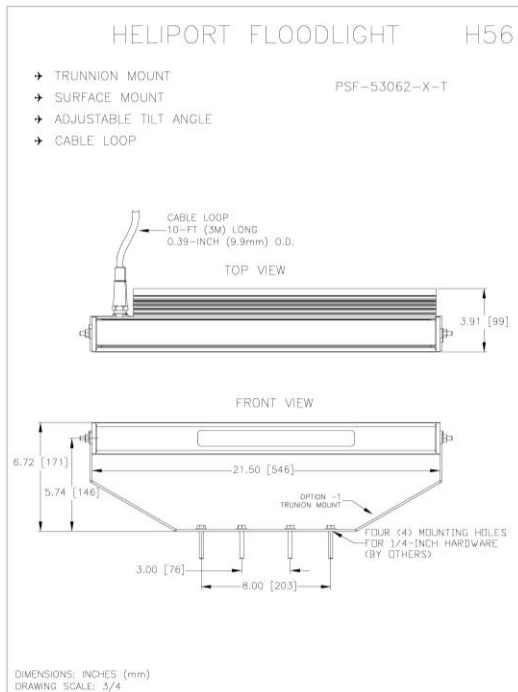
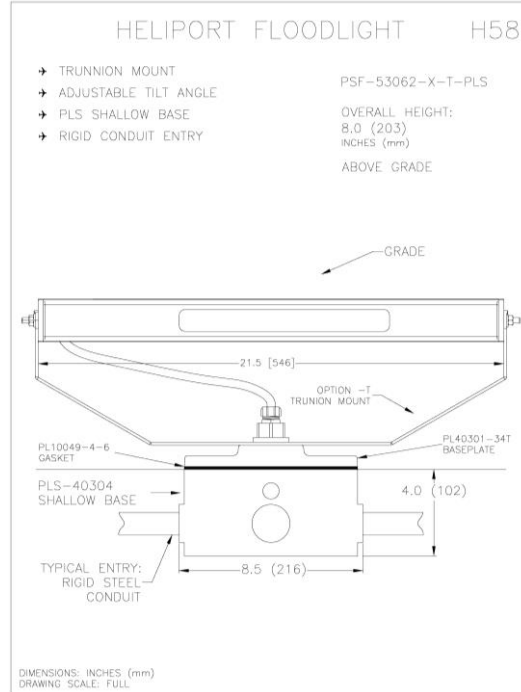
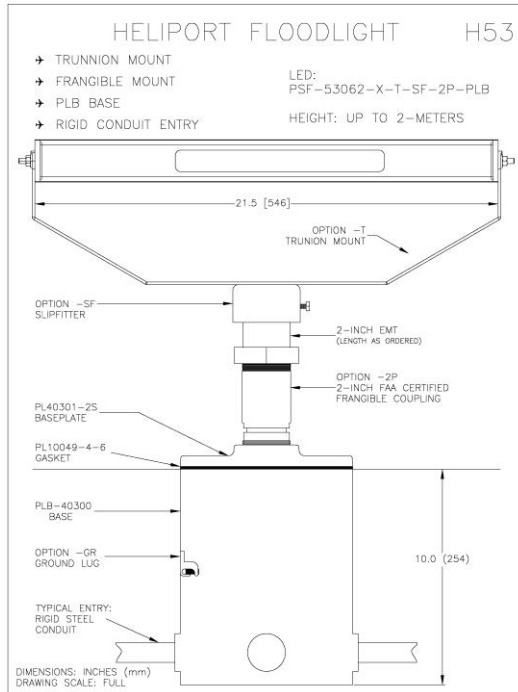


Typical Mounting  
PSF External Junction Box

**Option -JBX**  
Class I, Division 2 External Junction Box  
for use with PSF-53063-6-EX



### TYPICAL METHODS FOR MOUNTING THE PSF-5306X



Note: These details are compiled in the pdf file 0MOUNTINGS and are available in CAD upon request.