

# POINT BATTERY LIGHTS

## PBL-RESCUE

### TEMPORARY HELIPAD LED LIGHT

### HELICOPTER PORTABLE LANDING LIGHTS

Compliances: FAA AC 150/5390-2B Heliport Design Guide  
ICAO Annex 14, Volume II

EMS Emergency Medical Services • Fire Rescue Services • Wilderness Search and Rescue

The PBL-R battery powered portable LED lights mark the perimeter of an emergency temporary landing site deployed at the scene directly from an emergency vehicle. In red, it may be used to mark temporary obstructions. The electronic power supply is watertight within the fixture optical assembly. This is the same technology used to mark the landing circle on oil rig helidecks. The rechargeable PBL-R uses readily available AA batteries. The mounting plate may be staked or weighted down. Optional elevated stake may be pressed into the ground by hand. Each PBL-R is manually switched ON-OFF in place. Total run-time between charges is sixteen (16) hours depending on the ambient temperature.



Point Type	Color	Options
PBLR-52001	G: Green R: Red Y: Yellow B: Blue C: White IR: Infrared	NC: NVG Compatibility * SK2: Elevated Stake Mount Note: Standard ground stakes (2) are included. Each 6.7-inches (170mm) long.
PL11100-8	Carrying Case for 8 units with stakes (see page 3)	
PL11101	Charger 8-slot for AA batteries for AC 100-240V, 50/60 Hz	
PL11101-9V	Charger 8-slot for 9V batteries for AC 100-240V, 50/60 Hz	

Note: For PSF-RESCUE portable LED surface floodlight, see page 4.

Note: Requires four (4) type AA batteries per light which are not included.  
Use rechargeable high capacity AA Ni-MH batteries rated  $\geq 2800$  mAH  
Or may use consumer disposable high capacity AA lithium batteries.

\* Option -NC requires a 9V lithium battery (no AA batteries).  
Energizer Ultimate Lithium disposable will give about 16 hours run-time.  
Lithium-Ion rechargeable gives about 8 hours run-time per charge.

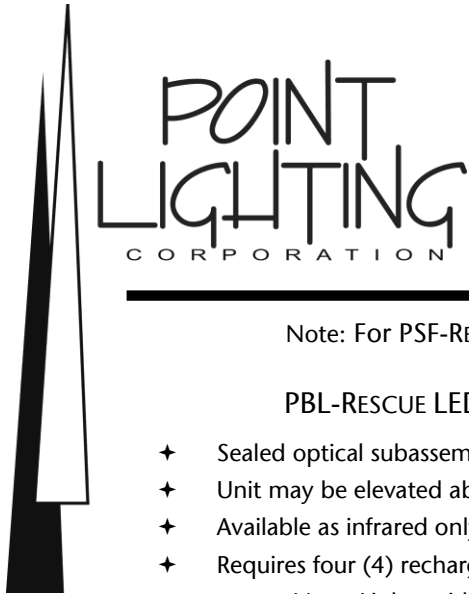
PBLR-52001-G

ILLUMINATES BRIGHT GREEN



PBLR-52001-G-SK2  
PBL-RESCUE LED LANDING LIGHT  
MOUNTED ON OPTIONAL ELEVATED STAKE





# POINT BATTERY LIGHTS

## PBL-RESCUE

### TEMPORARY HELIPAD LED LIGHT

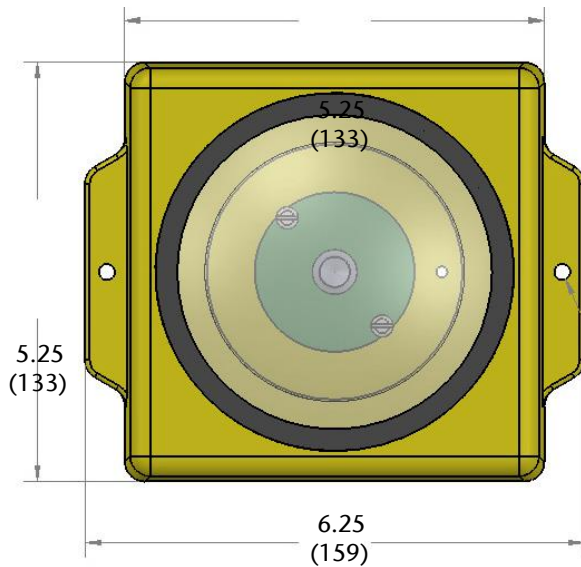
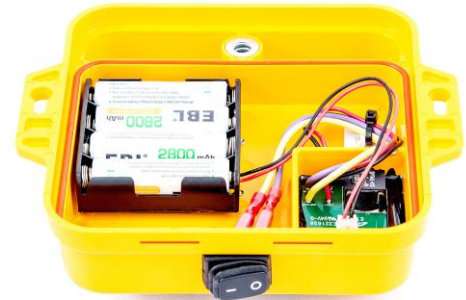
### HELICOPTER PORTABLE LANDING LIGHTS

Note: For PSF-RESCUE portable LED surface floodlight, see page 4.

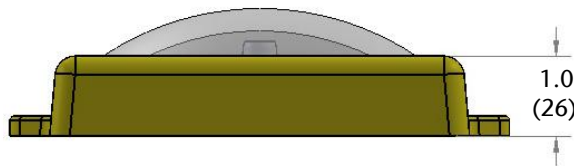
#### PBL-RESCUE LED BATTERY LIGHT FEATURES

- ✦ Sealed optical subassembly with colored light emitting high intensity LED
- ✦ Unit may be elevated above the vegetation (option –SK2)
- ✦ Available as infrared only; mix with visible units if NVG may be used by the pilot
- ✦ Requires four (4) rechargeable Ni-Cad or disposable lithium AA batteries (by others)
  - Note: Lights with option –NC require 9V lithium batteries
- ✦ Full battery charge using the rechargeable batteries will allow about sixteen (16) hours of operating time at 70-deg F
- ✦ Stakes for flat on the ground included
- ✦ ON-OFF switch
- ✦ Compartment for easy battery replacement
- ✦ Non-metallic NEMA 4X, IP 66 enclosure

Interior view with battery pack that may be unplugged. The compartment is O-ring sealed. Cover snaps in place and locks with ¼-turn clasp.



Hole for simple stake



Option –SK2  
Mounting Stake  
Easily clips in place and may be pressed into the earth with two hands.





# POINT BATTERY LIGHTS

## PBL-RESCUE

TEMPORARY HELIPAD LED LIGHT  
HELICOPTER PORTABLE LANDING LIGHTS

---

PBLR CARRYING CASE PL11100-8  
SHOWN WITH STANDARD SIMPLE STAKES  
RECOMMENDED TO PROTECT LIGHTS DURING TRANSPORT



PBLR CARRYING CASE PL11100-8  
SHOWN WITH TRAY REMOVED  
FOAM INSERT SECURES & PROTECTS EIGHT LIGHTS





# POINT BATTERY LIGHTS PSF-RESCUE TEMPORARY HELIPAD LED LIGHT HELICOPTER PORTABLE LANDING LIGHTS

PSF-53062-3-BOL  
Battery Powered Portable Surface Floodlight  
For Visor, add option -V



Intensity: 2,052 lumens  
Peak: 6,977 candelas  
DC Power: 21.3 W  
LED rated average life: 100,000 hours  
Temperature Range: -40 to +50 deg C  
Ingress Rating: IP66  
Weight:



## POINT LIGHTING CORPORATION

Mail: P.O. Box 686, Simsbury, CT 06070  
Tel 01 860.243.0600  
email: [Info@PointLighting.com](mailto:Info@PointLighting.com)

Plant: 61-65 W. Dudley Town Rd, Bloomfield, CT  
USA  
Fax 01 860.243.0665  
website: [www.PointLighting.com](http://www.PointLighting.com)