



POINT HELIPORT LIGHTS

PHL LED v5

COMBINATION PERIMETER & FLOODLIGHT

Compliances: ETL Listed per UL50 & UL1598 at -40 deg C to +50 deg C
 ETL Listed to CSA C22.2 No. 137-M1981
 FAA AC 150/5390-2B Heliport Design Guide
 ICAO Annex 14, Volume II
 Registered ISO 9001:2015
 Transport Canada TP14371, AGA 7.17



The PHL elevated LED lights mark the perimeter (FATO) of a heliport. The FAA recommended perimeter color is green. The ICAO recommended color is green (C-array) when the FATO and TLOF are the same or white (H-array) when there is a separate green TLOF inner perimeter. The purpose of the PHL's LED floodlight is to provide light "washing" the pad surface to provide better depth perception to the pilot than simply having perimeter lights. It improves conspicuity to the pilot but does not provide uniform, illumination of the pad surface. The floodlight is engineered to be well controlled and reduce glare to the pilot. The overall height is compatible with standard height PEL's to be used together on the same perimeter. The LED floodlight should be separately circuited for control independent of the colored LED perimeter light.

See file 0MOUNTINGS for mounting details

Point Type	Voltage	Array	Color	Floodlight	Mounting & Options
PHL-57005	1: 120v 2: 220v	C: Heliport H: ICAO FATO	G: Green Y: Yellow W: White R: Red B: Blue	53063	VB: Variable Brightness* PLB/PLS: Base & Gasket LSM: Low Surface Mount DH: Drain Hole in Base MT: Marine Treatment Green NC: NVG Compatibility**

* Dimming option -VB does NOT apply to the floodlight which is a separate circuit. Contact Point for floodlight dimming.

Note: Array C brightness exceeds ICAO Annex 14 in green. For ICAO FATO in white, use array H.
 ** For use with visible (non-IR) array; adds IR LEDs.

The PHL v5 C array does not exceed 2.5 watts & 5.8 VA at 120-220V
 The PHL floodlight is 32.2 watts & 34.1 VA at 120-220V

Marine Treatment in yellow is standard for protection in marine, high salt content air and other corrosive environments.

Intertek ETL SEMKO Control Number: 3030033

PHL-57005-1C-G-53063
 SHOWN WITH PL40301 BASEPLATE



FLOODLIGHT DATA

Intensity: 4,725 lumens
Peak: 14,175 candelas
LED rated average life: 100,000 hours
Temperature Range: -40 to +50 deg C
Frequency: 50/60 Hz
Ingress Rating: IP66 & IP67



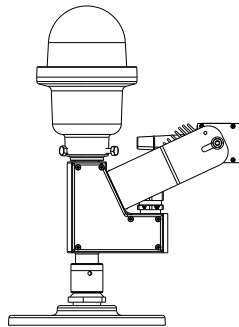
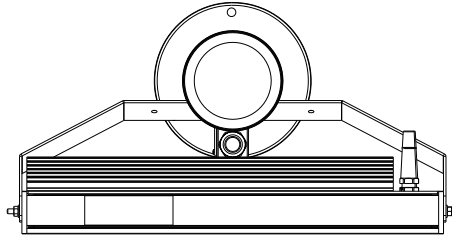


POINT HELIPORT LIGHTS

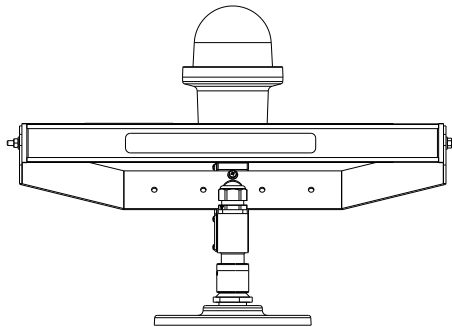
PHL LED v5

COMBINATION PERIMETER & FLOODLIGHT

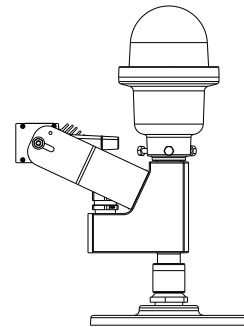
PHL – Top View



Side View



PHL – Front View



Side View

Replacement Parts & Tools

Instruction Sheet: ISPHL57005
 LED Life (hours): 100,000
 Height: 16.2 (411)
 Width: 21.5 (546)
 Base Diameter: 8.0 (203)
 PLB Depth: 10.0 (254)
 PLS Depth: 4.0 (102)
 Weight: 4.0 lbs 1.8 kg
 Volume: 0.5 sq.ft .014 m.sq.

Note: The PEL optical subassembly is permanently sealed. In the event of failure, the fixture must be returned to the factory for evaluation and repair.

- | | |
|---------------|--------------------|
| PSF-53063-6-T | Floodlight |
| PL10038 | Pipe Extension |
| PL10040 | Breakable Coupling |
| PL40301 | Baseplate |
| PL10049-4-6 | Gasket, Baseplate |



POINT LIGHTING CORPORATION

Mail: P.O. Box 686, Simsbury, CT 06070
 Tel 01 860.243.0600
 email: Info@PointLighting.com

Plant: 61-65 W. Dudley Town Rd, Bloomfield, CT
 USA

Fax 01 860.243.0665
 website: www.PointLighting.com