

ACCESSORIES

MOUNTING BRACKETS

AVAILABLE MOUNTING BRACKETS & METHODS

Point Lighting Corporation offers optional brackets and junction boxes for a variety of installation methods. These options are designed to make the installation faster and easier for the installer. Brackets are typically black anodized aluminum with stainless steel hardware included.*

Junction boxes include terminal blocks and one cable gland for use with the fixture cable loop. The standard box has two feed-thru hubs that may be used with conduit or cable by others. One blank plug is included. PJB cast junction boxes have the highly corrosion resistant Point Lighting Marine Treatment in either yellow or green (option -MT for offshore marine use). All mounting hardware supplied is 316 (A4) stainless steel. * Hardware for attachment to walls & decks are by others.

ENCLOSURE BRACKET KIT
PL11371 & -TPM
FOR WALL OR POST MOUNTING

Typical Products:

- PHC Heliport Controllers
- PRC Radio Controllers
- POC Obstruction Controllers
- Beacon Power Supplies
- Junction Boxes



ENCLOSURE BRACKET KIT
PL11676
FOR TOWER MOUNTING

Typical Products:

- POC-69001 Controllers
- PL11675 Junction Boxes



POL-21007-5B-R-SOL

SOLAR LIGHT BRACKET KITS



POL-21007-5B-R-D-SOL



POL-21007-5B-R-SOL-PM



WIND CONE BRACKET OPTION -SM STAND MOUNT

INCLUDES JUNCTION BOX WITH
CABLE GLAND, BRACKET & HARDWARE

Typical Products:

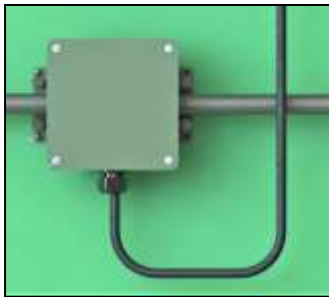
- PWC-806xx -FF Wind Cone
- PWC-806xx -SSP Wind Cone



August, 2024

Typical Products:

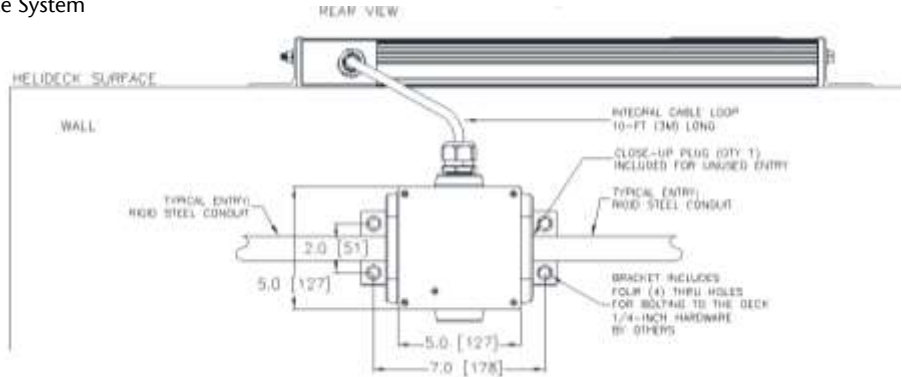
- PFB-3700x Obstruction Beacons
- PSL Status Light System Main Light
- HAPI-89001 -JB Approach Path Indicator
- VAGS-89021 -JB Alignment Guidance System



JUNCTION BOX WITH BRACKET
OPTIONS -JB & -JBX
PL11545 & PL11545-EX

Typical Products:

- PSF-53063-6-JB Surface Floodlight
- PSF-53063-6-T-JB Surface Floodlight
- PSF-53062-3-JB Surface Floodlight



PSF-53063 SURFACE FLOODLIGHT & VISOR WITH
OPTION -JB JUNCTION BOX PL11545-34-MT &
OPTION -SNP2 SIDE-WALL BRACKET KIT PL11621

Includes stainless steel hardware &
cable gland for PSF cable loop

PSF-53063-EX HAZARDOUS AREA FLOODLIGHT WITH
OPTION -JBX JUNCTION BOX PL11545-EX &
OPTION -SNP2 SIDE-WALL BRACKET KIT PL11621

Includes stainless steel hardware &
cable gland for PSF cable loop



PSF-53063 SURFACE FLOODLIGHT & VISOR WITH
OPTION -JB JUNCTION BOX PL11545-34-MT &
OPTION -SNP FLAT BRACKET KIT PL11389

Includes stainless steel hardware &
cable gland for PSF cable loop

PSF-53063-EX HAZARDOUS AREA FLOODLIGHT WITH
OPTION -JBX JUNCTION BOX PL11545-EX &
OPTION -SNP FLAT BRACKET KIT PL11389

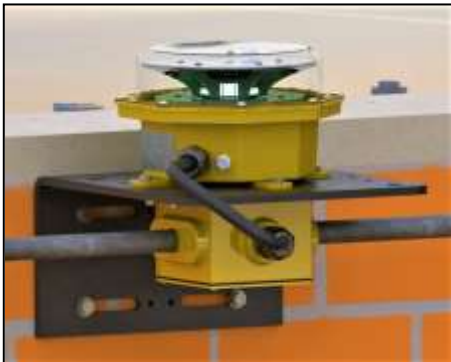
Includes stainless steel hardware &
cable gland for PSF cable loop



PFB-37004 OBSTRUCTION BEACON WITH
PL11215-V4 WALL BRACKET KIT &
PL11545-34 JUNCTION BOX
Includes stainless steel hardware &
cable gland for PFB cable loop



PFB-37004 OBSTRUCTION BEACON WITH
PL11215-V4-TPM CLAMP-ON BRACKET KIT &
PL11545-34 JUNCTION BOX
Includes stainless steel hardware &
cable gland for PFB cable loop



PFB-37003 RED FLASHING BEACON WITH
PL11562 WALL BRACKET KIT OR
PL11215-V3 KIT &
PL11545-34 JUNCTION BOX
Includes stainless steel hardware &
cable gland for PFB cable loop

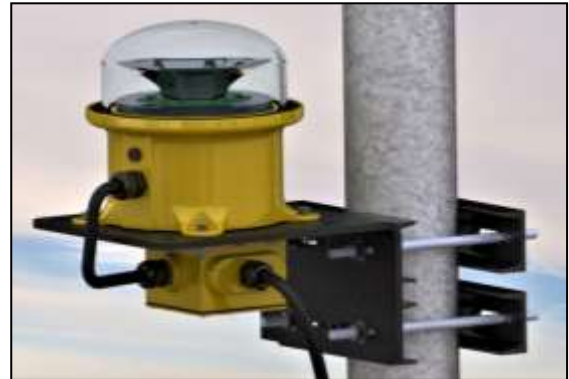
PFB-37003 RED FLASHING BEACON WITH
PL11215-V3-TPM CLAMP-ON BRACKET KIT &
PL11545-34 JUNCTION BOX
Includes stainless steel hardware &
cable gland for PFB cable loop



PFB-37002 OBSTRUCTION BEACON WITH
PL11215 WALL BRACKET KIT &
PL11545-34 JUNCTION BOX
Includes stainless steel hardware &
cable gland for PFB cable loop



PFB-37002-EX HAZARDOUS AREA BEACON WITH
PL11215 WALL BRACKET KIT &
PL11545-EX JUNCTION BOX
Includes stainless steel hardware &
cable gland for PFB cable loop



PFB-37002 OBSTRUCTION BEACON WITH
PL11215-TPM CLAMP-ON BRACKET KIT &
PL11545-34 JUNCTION BOX
Includes stainless steel hardware &
cable gland for PFB cable loop



PFB-37002-EX HAZARDOUS AREA BEACON WITH
PL11215-TPM CLAMP-ON BRACKET KIT &
PL11545-EX JUNCTION BOX
Includes stainless steel hardware &
cable gland for PFB cable loop





POL-21007-1B-R-34B-S3-BKTS-CF-P

POL OBSTRUCTION LIGHT WITH
OPTION -BKTS & BKTU
POST , TOWER & WALL BRACKETS
OPTION -CF CABLE FITTING
OPTION -P FAA PHOTOCONTROL
Includes stainless steel hardware for the
light & cable gland



POL-21007-1B-R-34B-D-BKTS-CF-P



FAA PHOTOCONTROL
PPC-40700-1-34T-BKTU-CF



POL-21007-1B-R-34L-S-BKTU-CF



POL-21007-1B-R-34L-S-BKTS-CF

PFB-37003-SOL-PM
SOLAR POWERED RED FLASHING BEACON
OPTION -PM POST MOUNTING IS ALL-INCLUSIVE:
POLE-POST-TOWER PFB BRACKET KIT
BEACON JUNCTION BOX
SOLAR ARRAY BRACKET KIT
SOLAR CONTROLLER BRACKET KIT
Includes stainless steel hardware, cables & cable glands



PRL-97004 HELIDECK PERIMETER LIGHT &
HELIDECK STATUS SYSTEM REPEATER LIGHT
WITH OPTION -SNP2 SIDE-WALL BRACKET *
* PL11247 SIDE WALL BRACKET KIT
Includes stainless steel hardware
for attaching the PRL



PRL-97004 HELIDECK PERIMETER LIGHT &
HELIDECK STATUS SYSTEM REPEATER LIGHT
WITH OPTION -SNP FLAT BRACKET *
* PL11383 FLAT BRACKET KIT
Includes stainless steel hardware
for attaching the PRL

PFB-37003 BEACON WITH STANDBY
WITH PL11691 WALL BRACKET
AND PL11675-01 JUNCTION BOX
WITH PL11676 BRACKET KIT
Includes stainless steel hardware
for attaching the beacons





PFB-37002-SL MAIN LIGHT WITH
OPTION -SNP2 & OPTION -JB
COMPONENT OF PSL-35002 STATUS LIGHT SYSTEM

PL11247 WALL BRACKET KIT &
PL11545-34-MT JUNCTION BOX
Includes stainless steel hardware &
cable gland for PFB cable loop

PFB-37002-SL MAIN LIGHT WITH
OPTION -SNP & OPTION -JB
COMPONENT OF PSL-35002 STATUS LIGHT SYSTEM

PL11383 FLAT BRACKET KIT &
PL11545-34-MT JUNCTION BOX
Includes stainless steel hardware &
cable gland for PFB cable loop



PFB-37002-EX-SL HAZARDOUS AREA MAIN LIGHT WITH
OPTION -SNP2 & OPTION -JBX
COMPONENT OF PSL-35002 STATUS LIGHT SYSTEM

PL11247 WALL BRACKET KIT &
PL11545-EX JUNCTION BOX
Includes stainless steel hardware &
cable gland for PFB cable loop



PFB-37002-EX-SL HAZARDOUS AREA MAIN LIGHT WITH
OPTION -SNP
COMPONENT OF PSL-35002 STATUS LIGHT SYSTEM

PL11383 WALL BRACKET KIT &
PL11545-EX JUNCTION BOX
Includes stainless steel hardware &
cable gland for PFB cable loop

