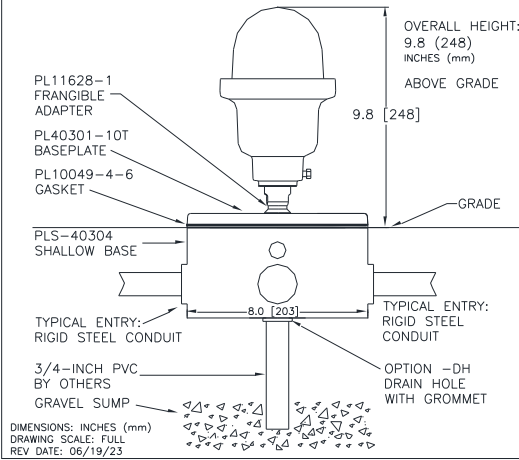


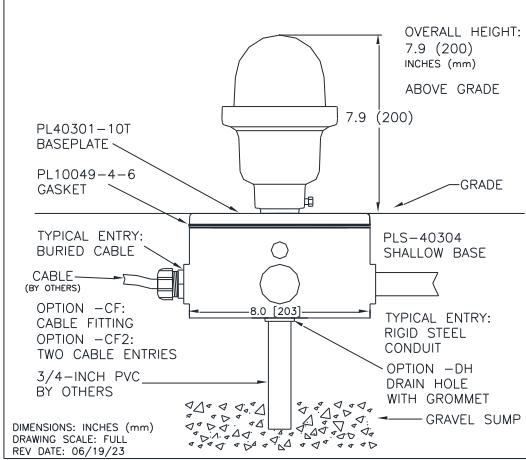
### HELIPORT PERIMETER LIGHT H01

- LOW PROFILE PEL PEL-57005-xx-x-PLS
- FRANGIBLE MOUNT
- PLS SHALLOW BASE
- RIGID CONDUIT ENTRY



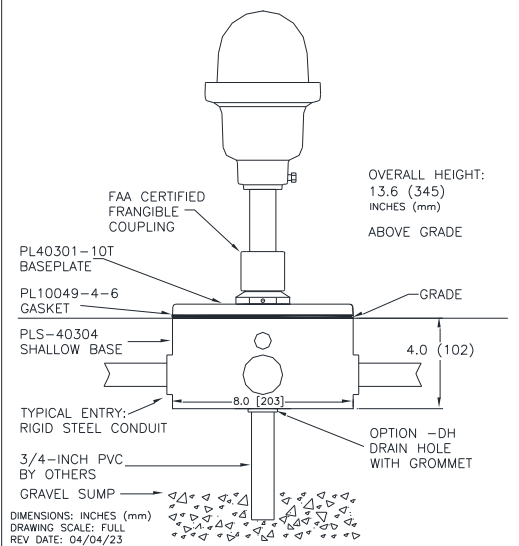
### HELIPORT PERIMETER LIGHT H02

- LOW PROFILE PEL PEL-57005-xc-x-LP10-PLS
- RIGID MOUNT
- PLS SHALLOW BASE
- EXPOSED CABLE OR RIGID CONDUIT ENTRY



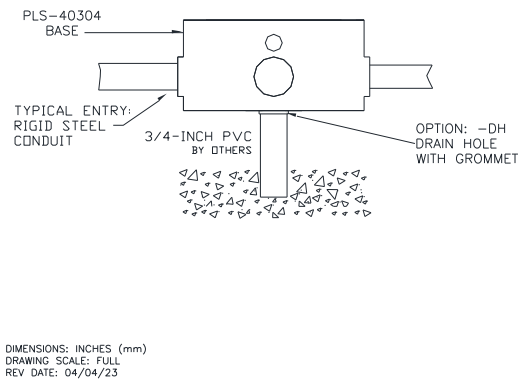
### HELIPORT PERIMETER LIGHT H03

- STANDARD FAA PEL PEL-57005-xc-x-14-PLS
- TRADITIONAL FAA COUPLING
- PLS SHALLOW BASE
- RIGID CONDUIT ENTRY



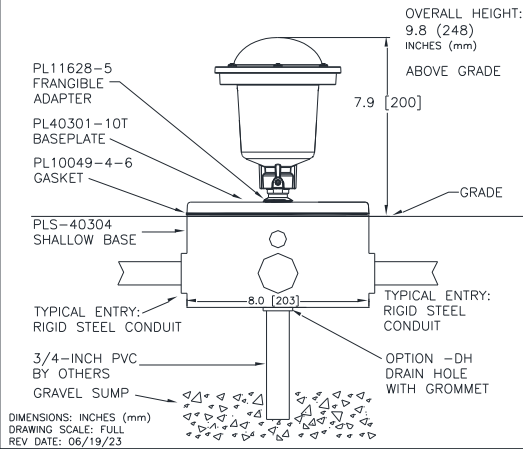
### HELIPORT OPTION -DH DRAIN HOLE WITH GRAVEL SUMP

USED WHERE WATER COLLECTION IN THE BASE IS A CONCERN.  
RECOMMENDED IN COLD WEATHER AREAS WHERE FREEZING  
MAY CAUSE DAMAGE TO THE LIGHT.  
MAY BE ORDERED WITH ELEVATED OR INSET LIGHTS.



#### HELIPORT PERIMETER LIGHT H01.7

- LOW PROFILE PEL PEL-57007-xx-x-PLS
- FRANGIBLE MOUNT
- PLS SHALLOW BASE
- RIGID CONDUIT ENTRY

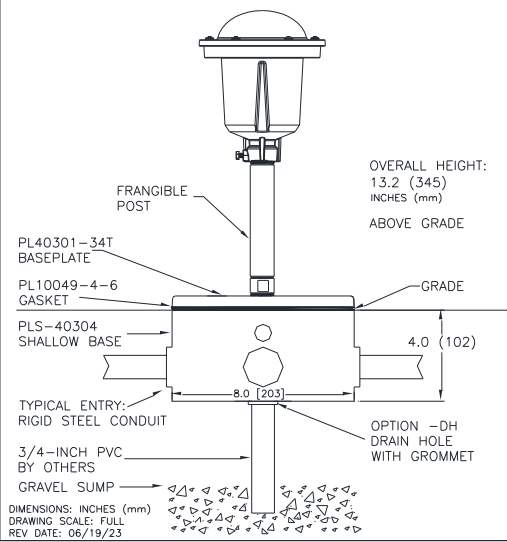


#### H02.7

INTENTIONALLY LEFT BLANK

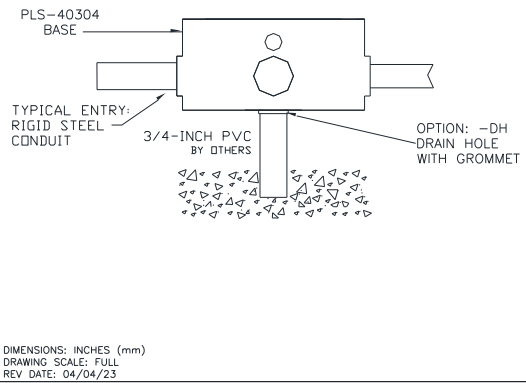
#### HELIPORT PERIMETER LIGHT H03.7

- STANDARD FAA PEL PEL-57007-xx-x-14-PLS
- FRANGIBLE COUPLING
- PLS SHALLOW BASE
- RIGID CONDUIT ENTRY



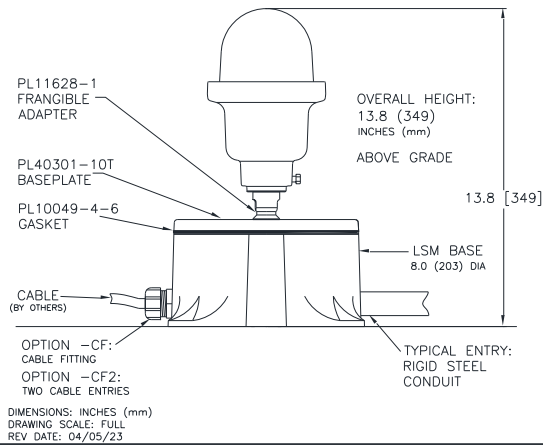
#### HELIPORT OPTION -DH DRAIN HOLE WITH GRAVEL SUMP H04.7

USED WHERE WATER COLLECTION IN THE BASE IS A CONCERN. RECOMMENDED IN COLD WEATHER AREAS WHERE FREEZING MAY CAUSE DAMAGE TO THE LIGHT. MAY BE ORDERED WITH ELEVATED OR INSET LIGHTS.



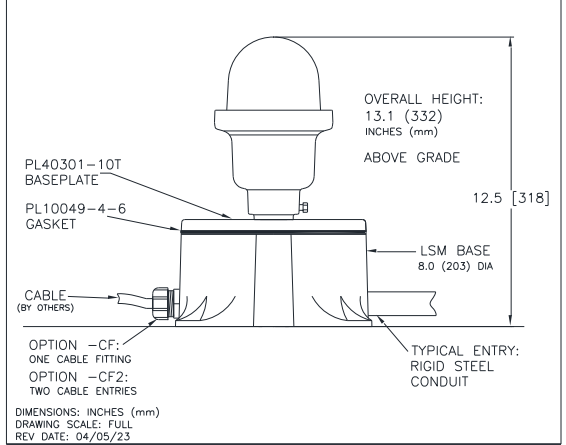
### HELIPORT PERIMETER LIGHT H05

- POINT ELEVATED LIGHT PEL-57005-xC-x-LSM
- SURFACE MOUNT
- FRANGIBLE MOUNT
- LSM SURFACE BASE
- EXPOSED CABLE OR RIGID CONDUIT ENTRY



### HELIPORT PERIMETER LIGHT H06

- POINT ELEVATED LIGHT PEL-57005-xC-x-LP10-LSM
- SURFACE MOUNT
- RIGID MOUNT
- LSM SURFACE BASE
- EXPOSED CABLE OR RIGID CONDUIT ENTRY



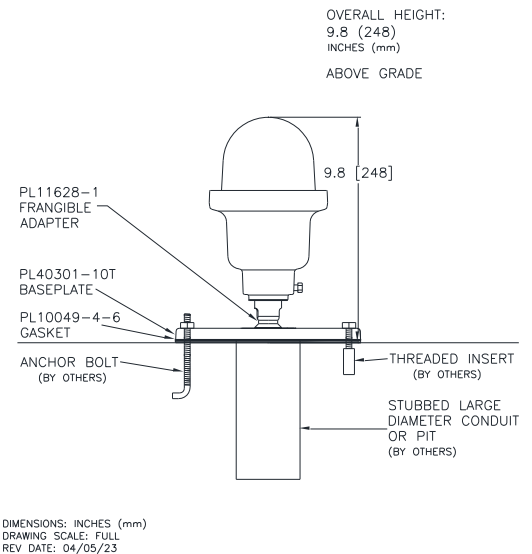
### H07

INTENTIONALLY LEFT BLANK

DIMENSIONS: INCHES (mm)  
DRAWING SCALE: FULL  
REV DATE: 04/05/23

### HELIPORT PERIMETER LIGHT H08

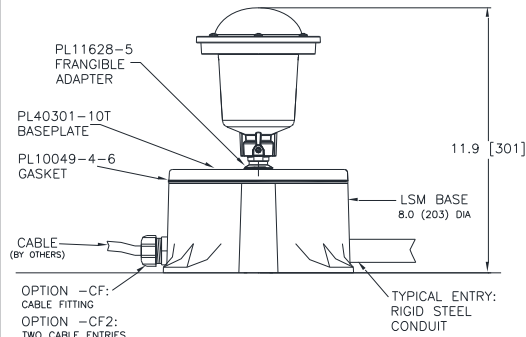
- POINT ELEVATED LIGHT PEL-57005-xC-x-BP\*
- SURFACE MOUNT PEL-22001-xC-x-BP\*
- FRANGIBLE MOUNT \*OPTION -BP INCLUDES BASEPLATE & GASKET
- BOTTOM ENTRY



### HELIPORT PERIMETER LIGHT H05.7

- POINT ELEVATED LIGHT PEL-57007-xx-x-LSM
- SURFACE MOUNT
- FRANGIBLE MOUNT
- LSM SURFACE BASE
- EXPOSED CABLE OR RIGID CONDUIT ENTRY

OVERALL HEIGHT:  
11.9 (301)  
INCHES (mm)  
ABOVE GRADE



OPTION -CF:  
CABLE FITTING  
OPTION -CF2:  
TWO CABLE ENTRIES  
DIMENSIONS: INCHES (mm)  
DRAWING SCALE: FULL  
REV DATE: 06/19/23

H06.7

INTENTIONALLY LEFT BLANK

H07.7

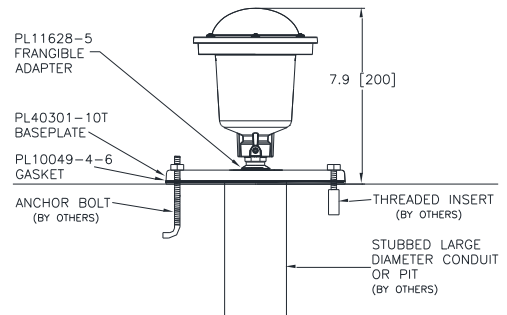
INTENTIONALLY LEFT BLANK

DIMENSIONS: INCHES (mm)  
DRAWING SCALE: FULL  
REV DATE: 04/05/23

### HELIPORT PERIMETER LIGHT H08.7

- POINT ELEVATED LIGHT PEL-57007-xx-x-BP\*
- SURFACE MOUNT \*OPTION -BP INCLUDES BASEPLATE & GASKET
- FRANGIBLE MOUNT
- BOTTOM ENTRY

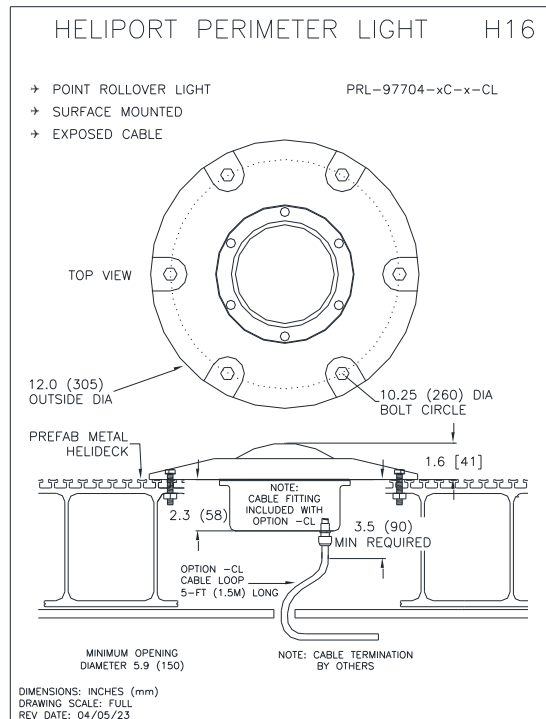
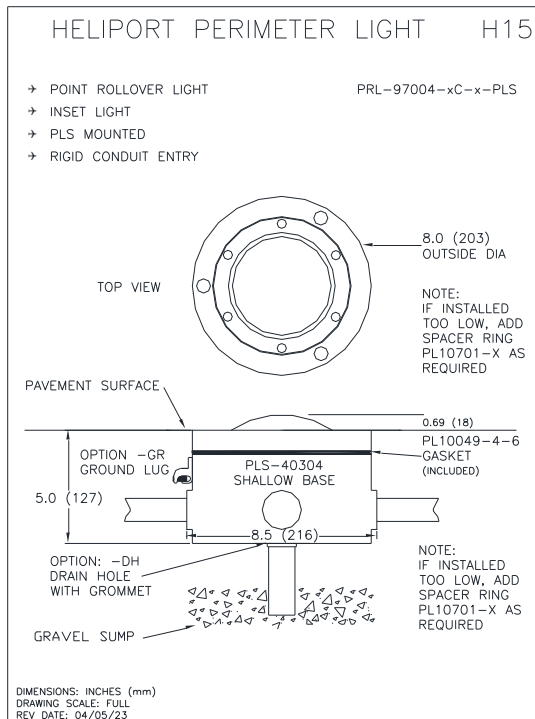
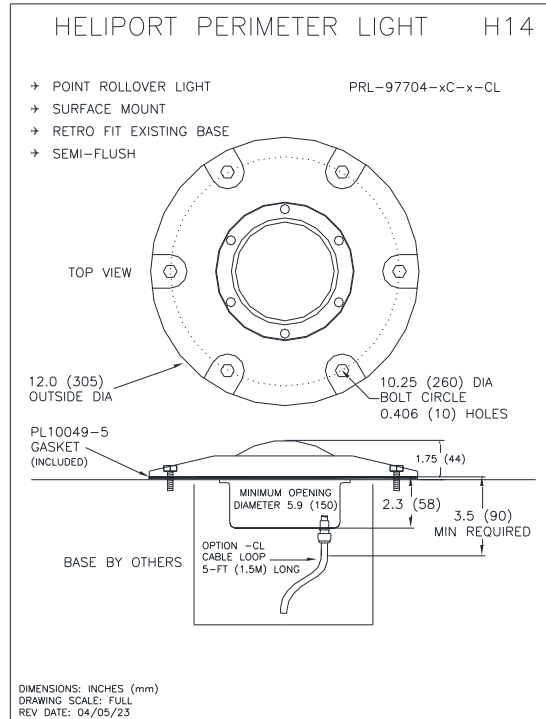
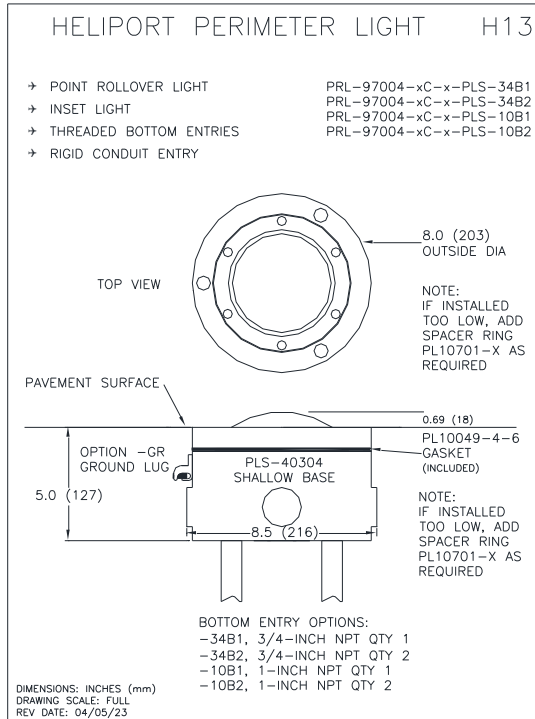
OVERALL HEIGHT:  
7.9 (200)  
INCHES (mm)  
ABOVE GRADE

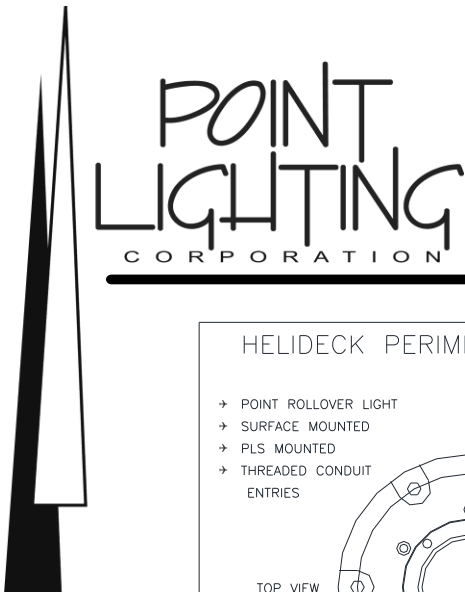


DIMENSIONS: INCHES (mm)  
DRAWING SCALE: FULL  
REV DATE: 06/19/23

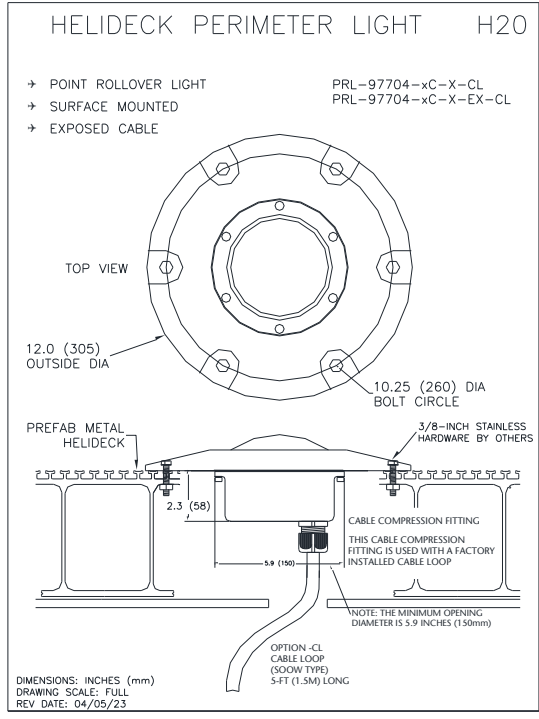
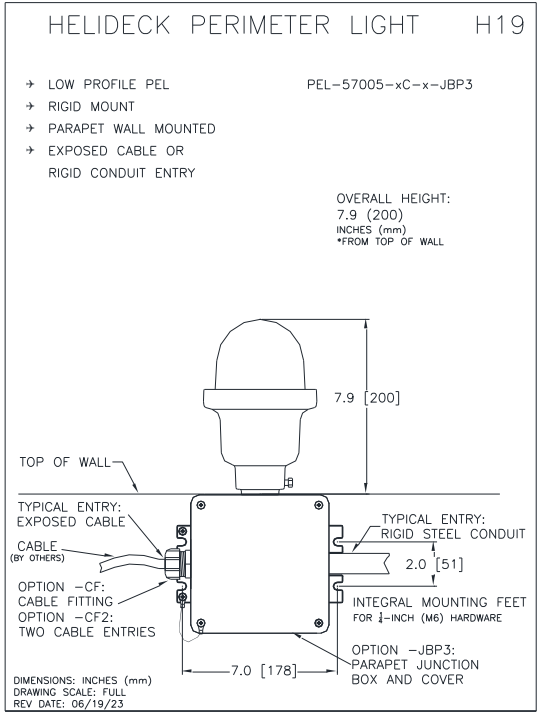
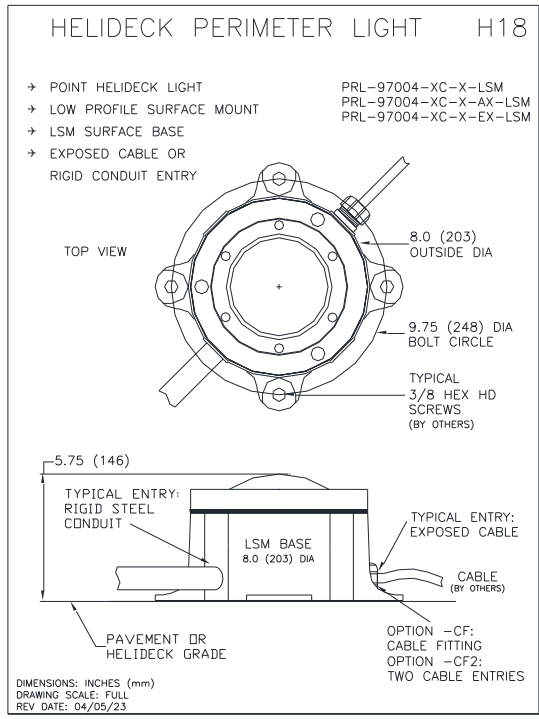
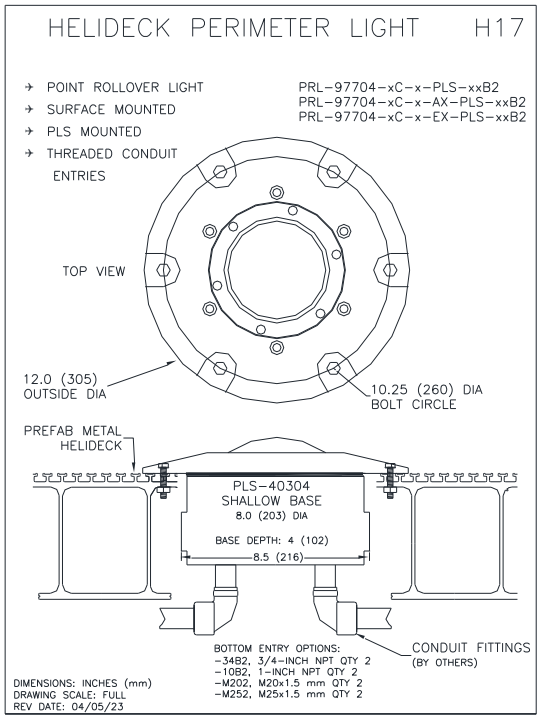




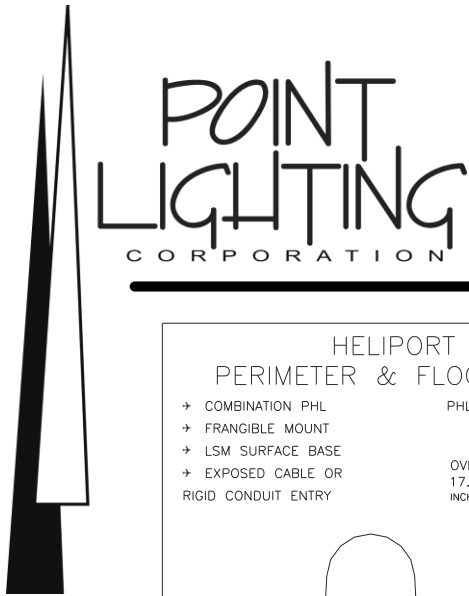




# POINT LIGHTING SPECIFICATION GUIDANCE PRODUCT MOUNTING DETAILS

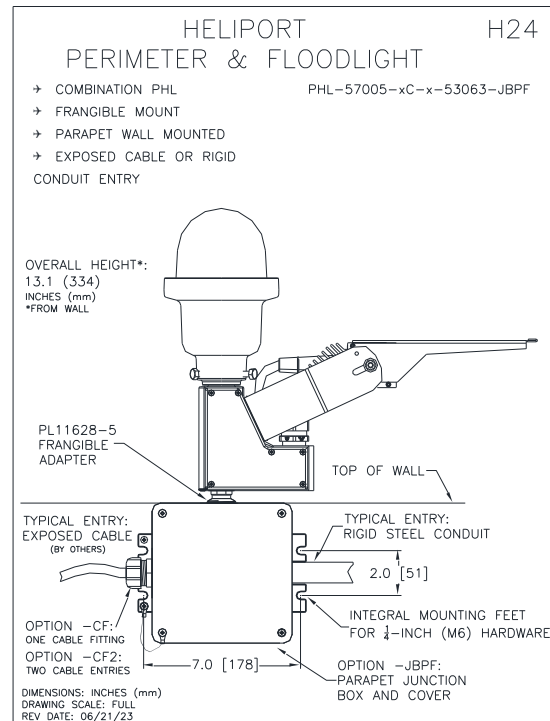
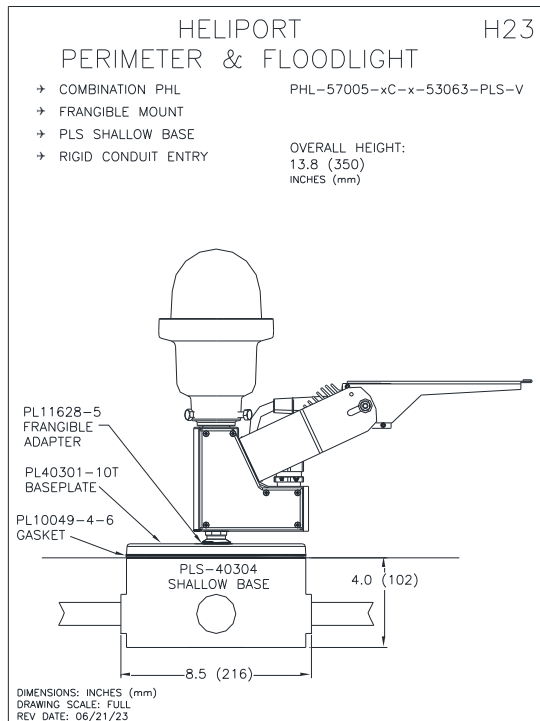
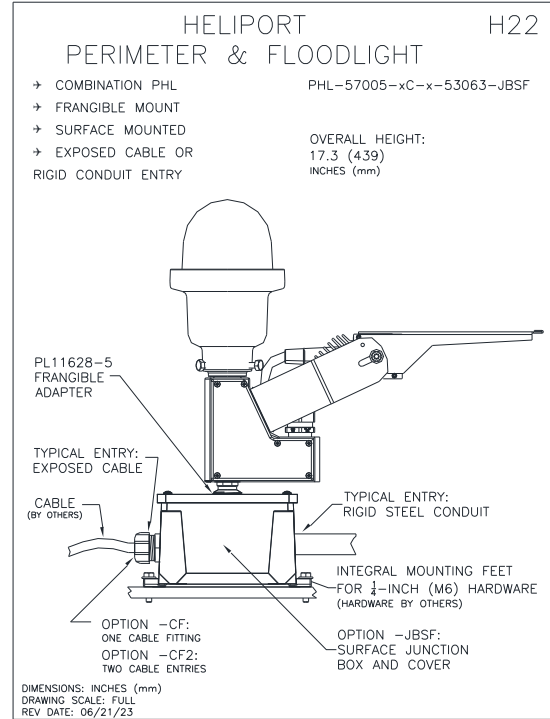
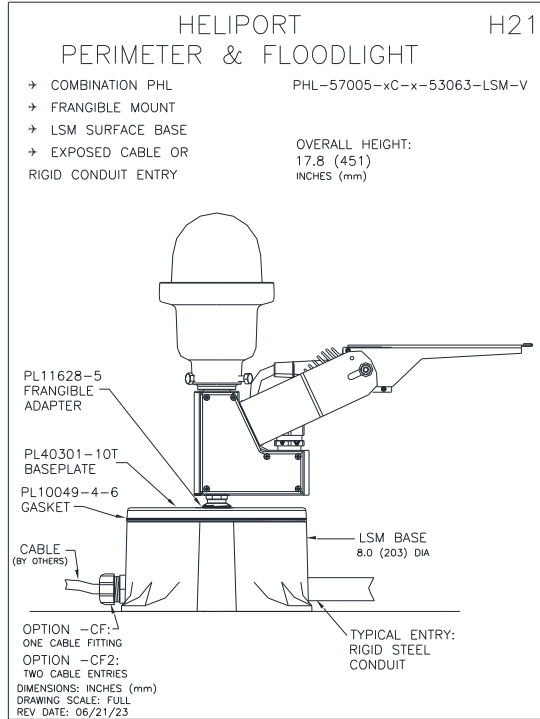


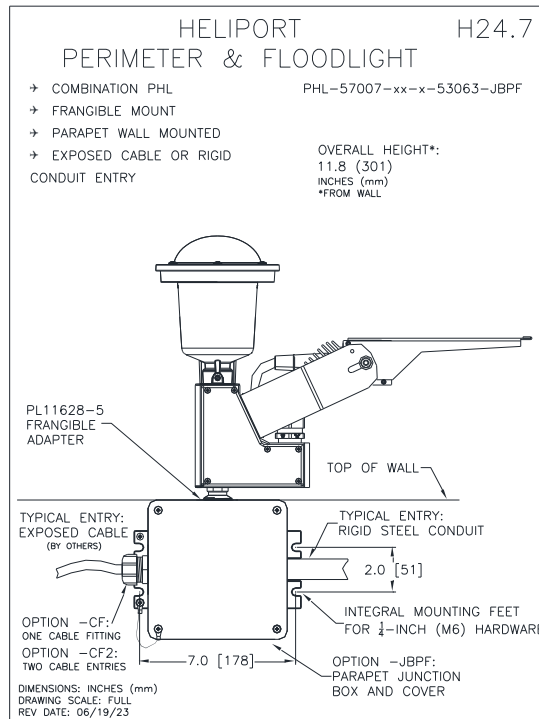
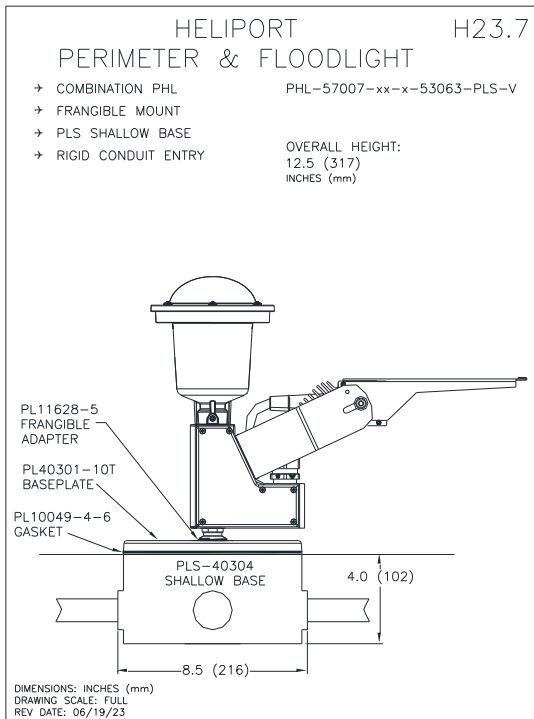
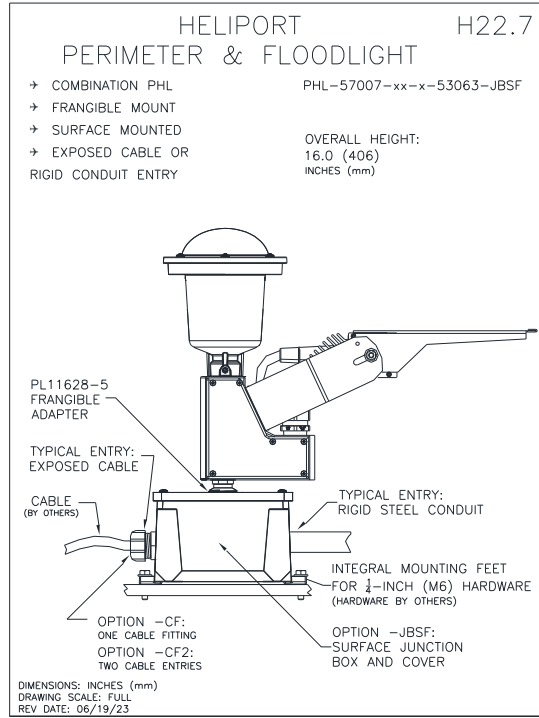
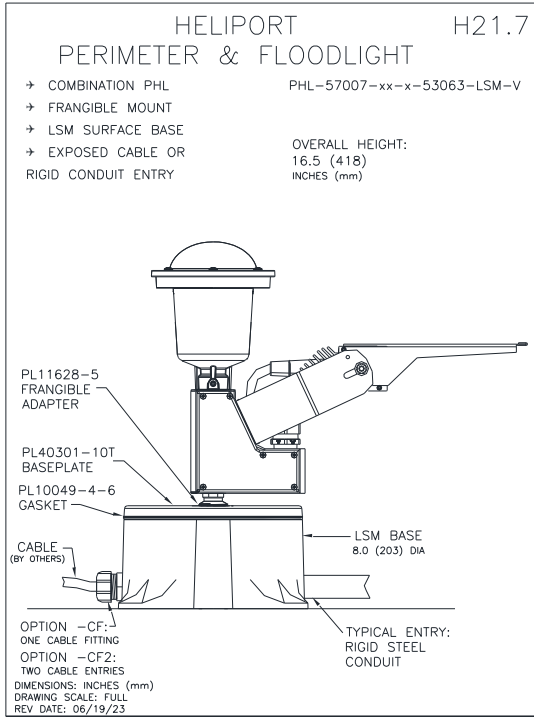


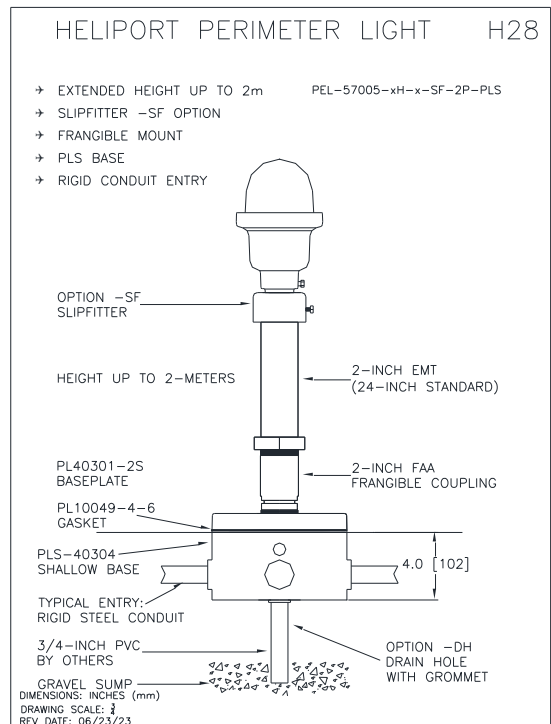
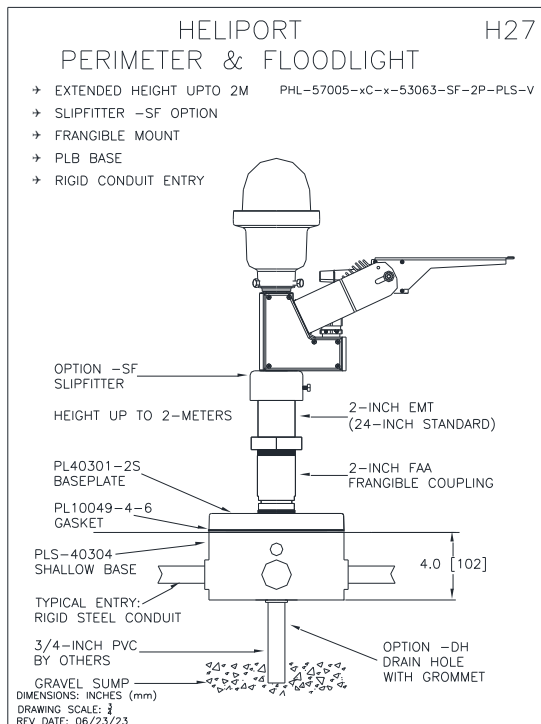
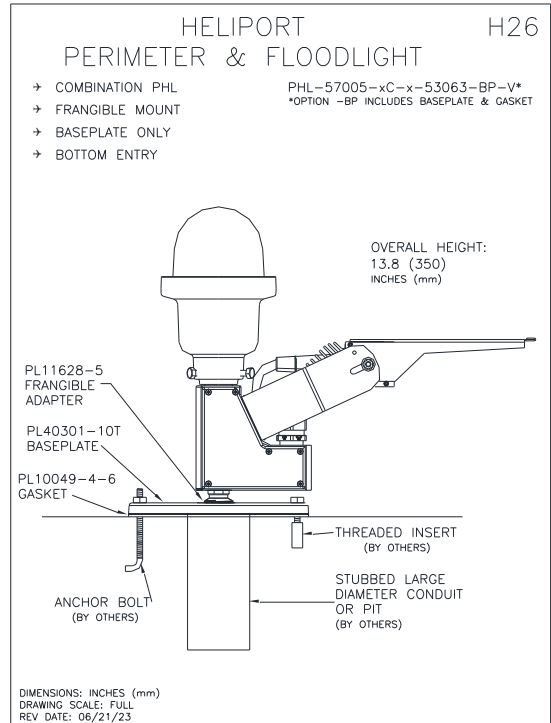
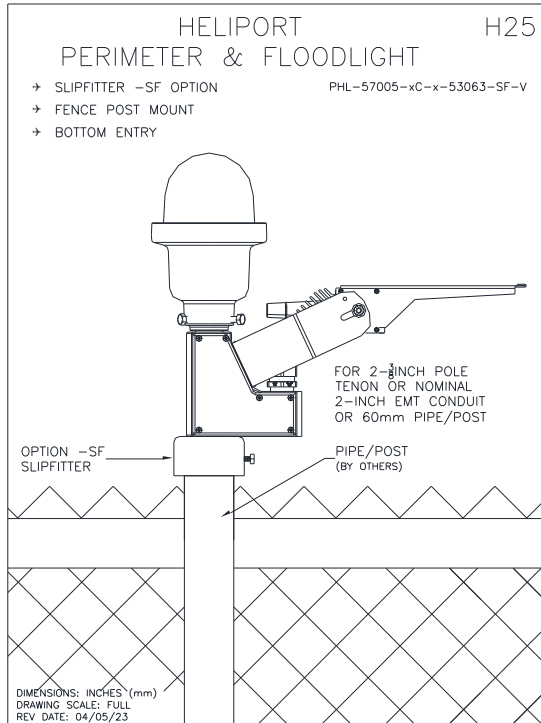


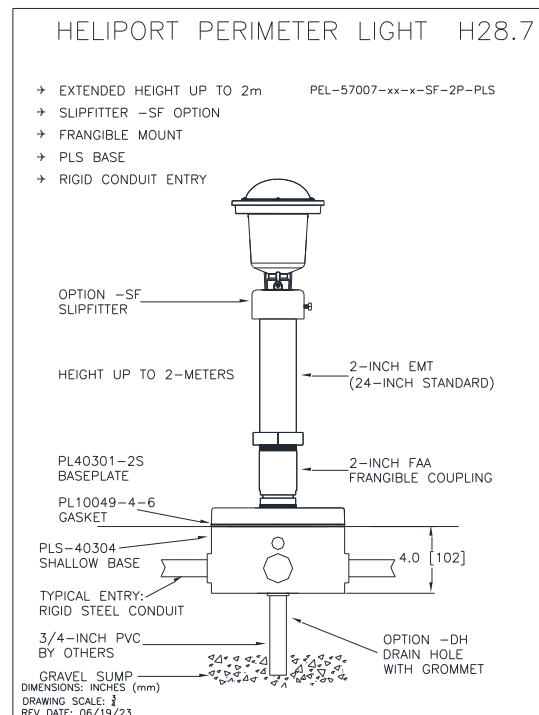
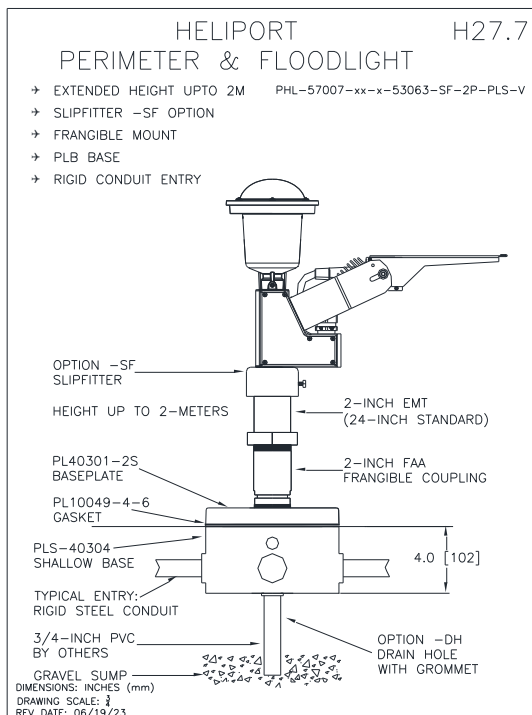
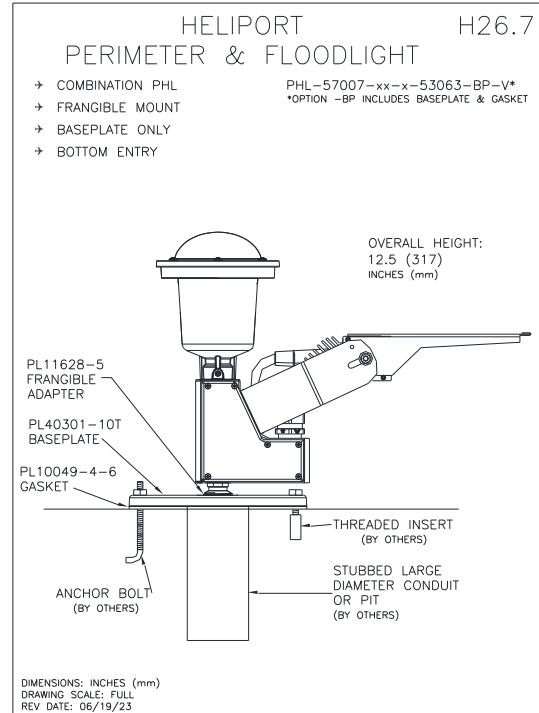
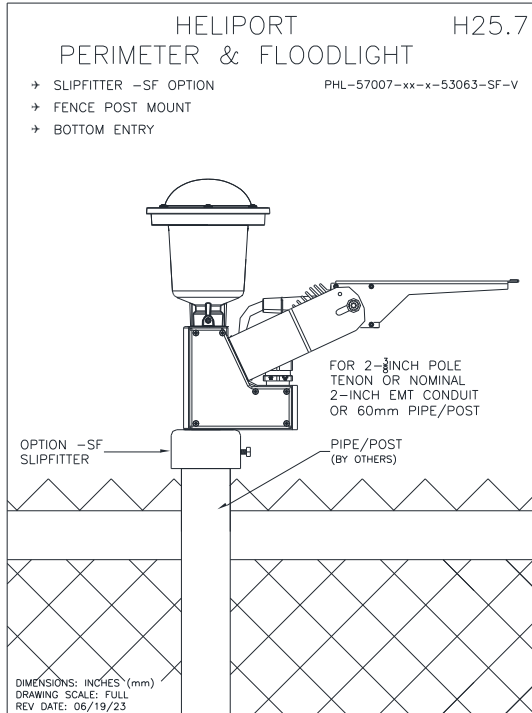
# POINT LIGHTING CORPORATION

## POINT LIGHTING SPECIFICATION GUIDANCE PRODUCT MOUNTING DETAILS



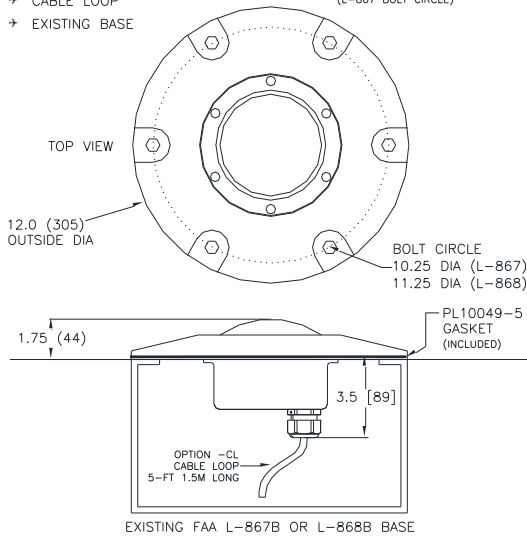






### RETROFIT FOR 12-INCH LIGHT H29 BASE FLANGE AT GRADE

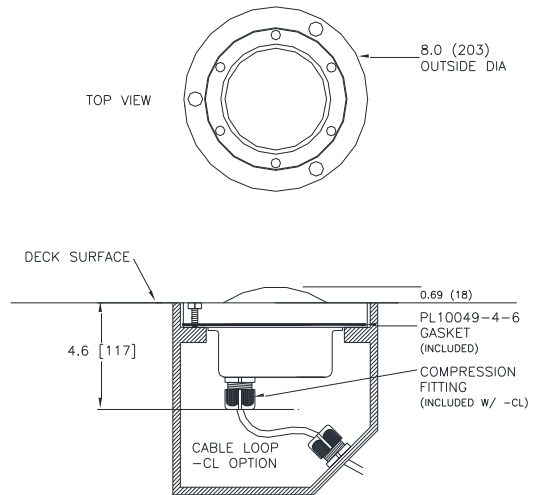
- POINT ROLLOVER LIGHT PRL-97704-xC-x-CL (L-867 BOLT CIRCLE)
- RETROFIT ON FAA BASE PRL-97804-xC-x-CL (L-867 BOLT CIRCLE)
- CABLE LOOP
- EXISTING BASE



DIMENSIONS: INCHES (mm)  
DRAWING SCALE: FULL  
REV DATE: 05/22/23

### YACHT DECK LIGHT H30

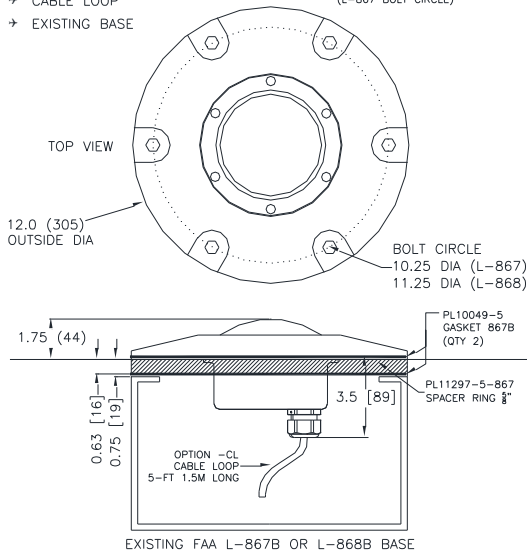
- POINT ROLLOVER LIGHT PRL-97004-xC-x-CL
- INSET LIGHT
- DECK MOUNTED



DIMENSIONS: INCHES (mm)  
DRAWING SCALE: FULL  
REV DATE: 04/05/23

### RETROFIT FOR 12-INCH LIGHT H31 BASE FLANGE RECESSED 3/4-INCH

- POINT ROLLOVER LIGHT PRL-97704-xC-x-CL (L-867 BOLT CIRCLE)
- RETROFIT ON FAA BASE PRL-97804-xC-x-CL (L-867 BOLT CIRCLE)
- CABLE LOOP
- EXISTING BASE

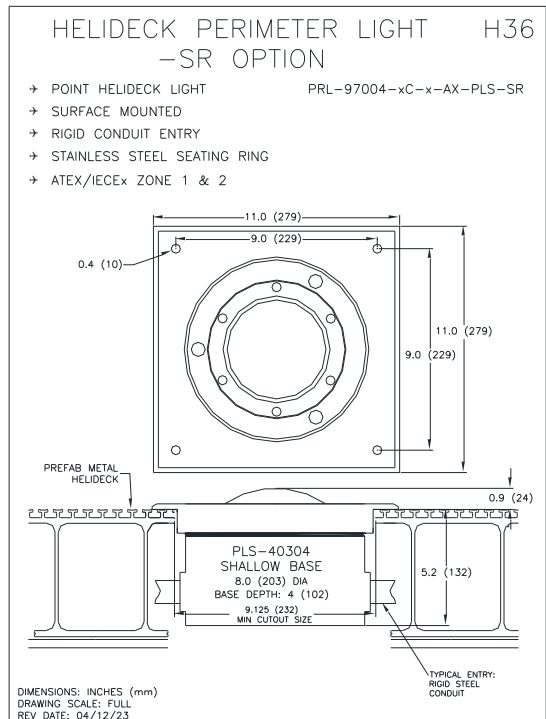
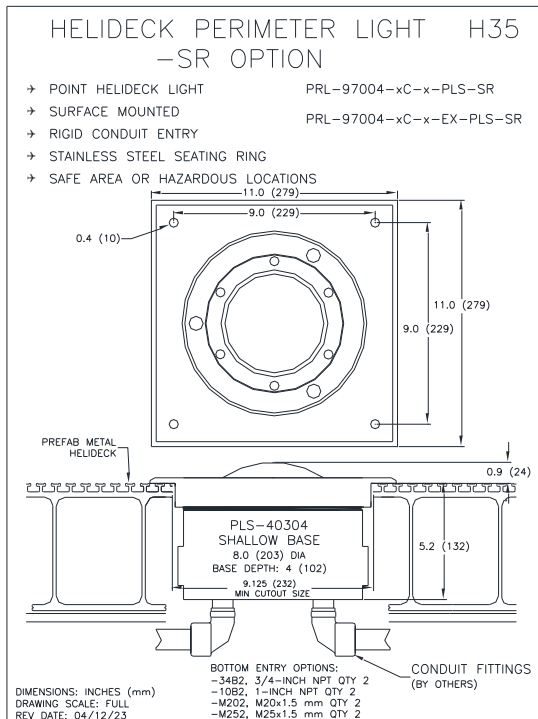
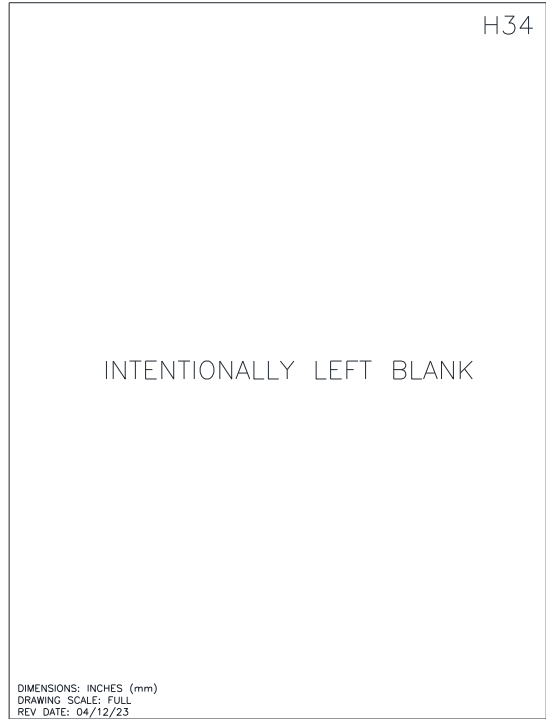
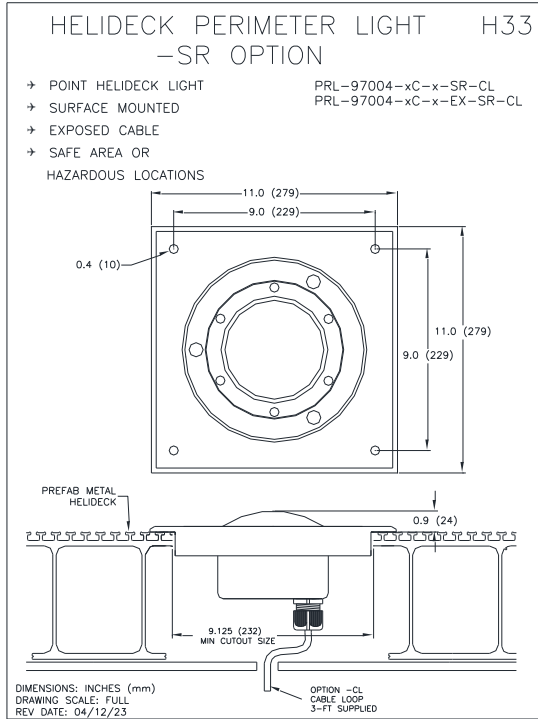


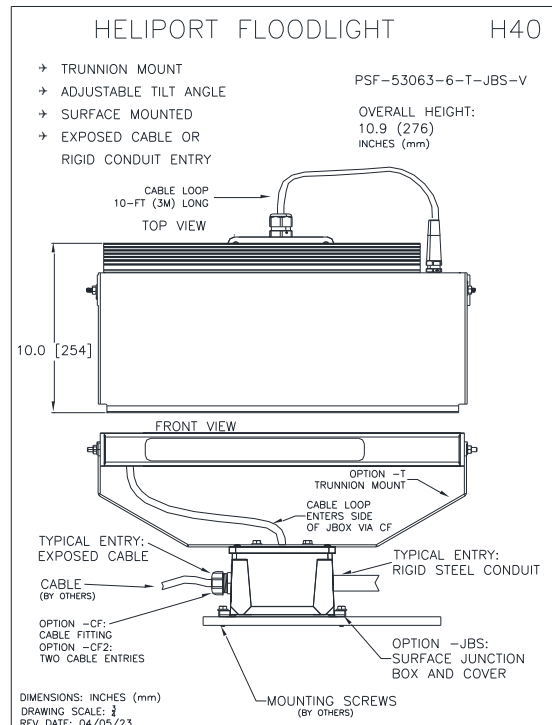
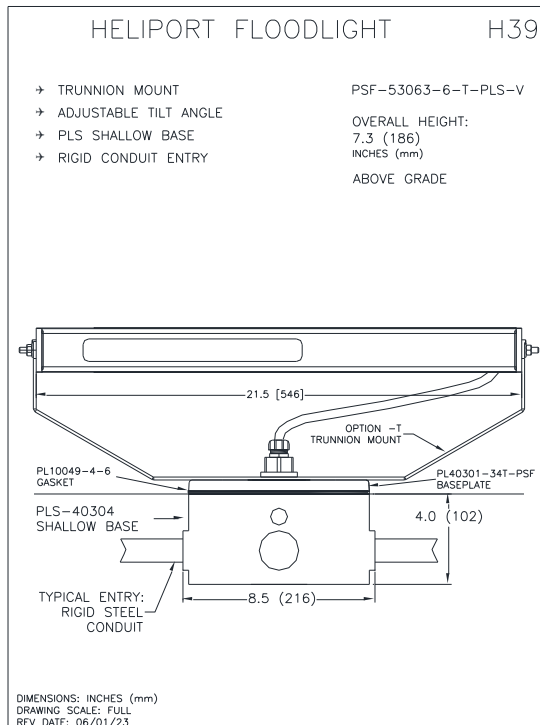
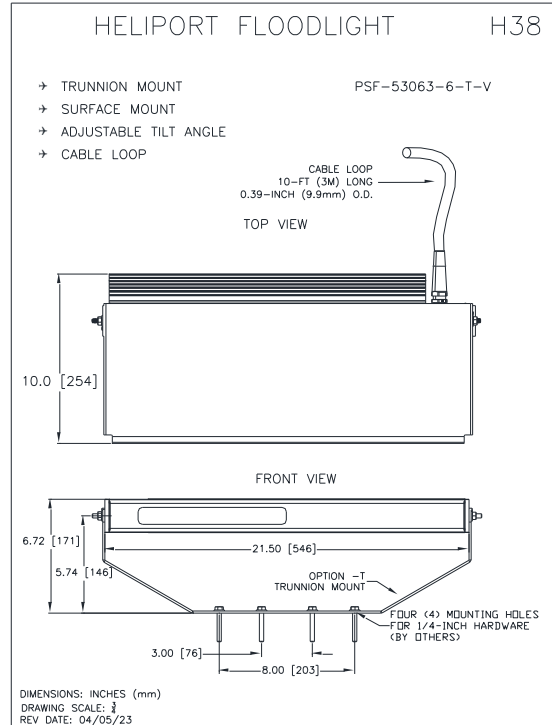
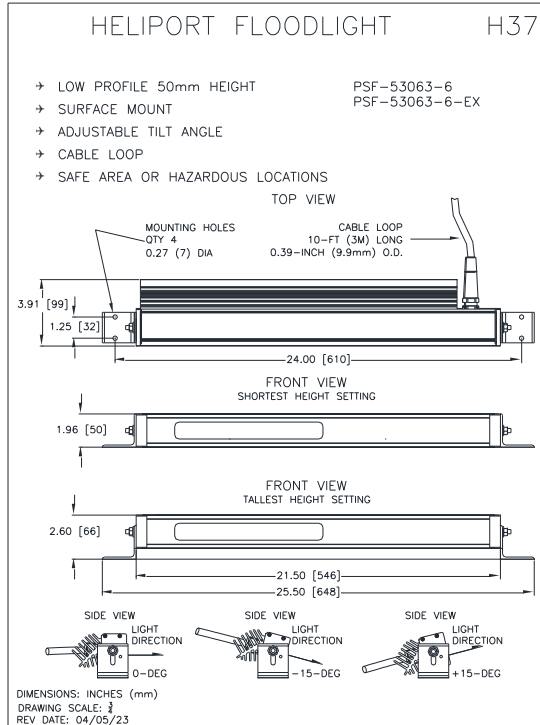
DIMENSIONS: INCHES (mm)  
DRAWING SCALE: FULL  
REV DATE: 05/22/23

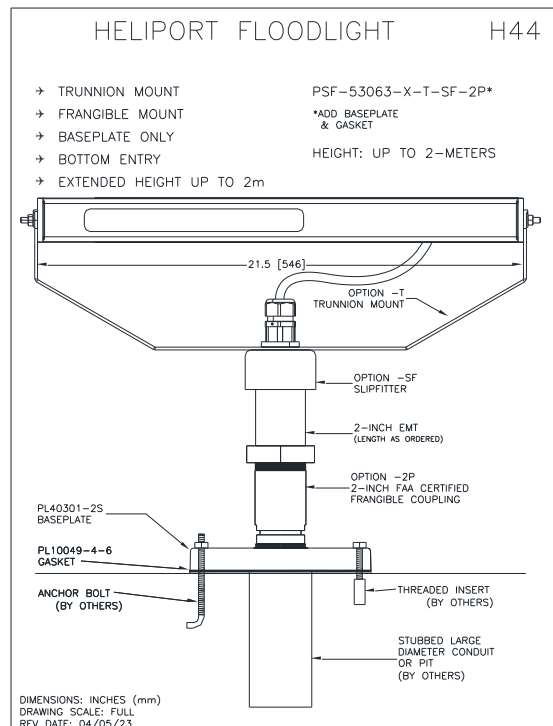
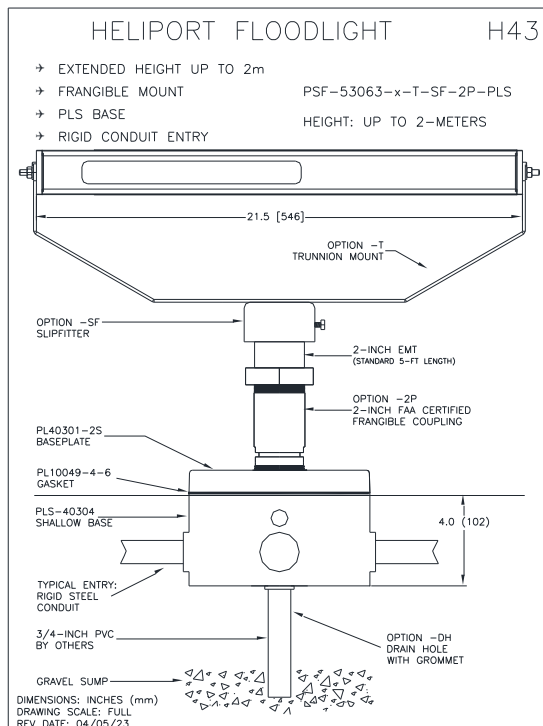
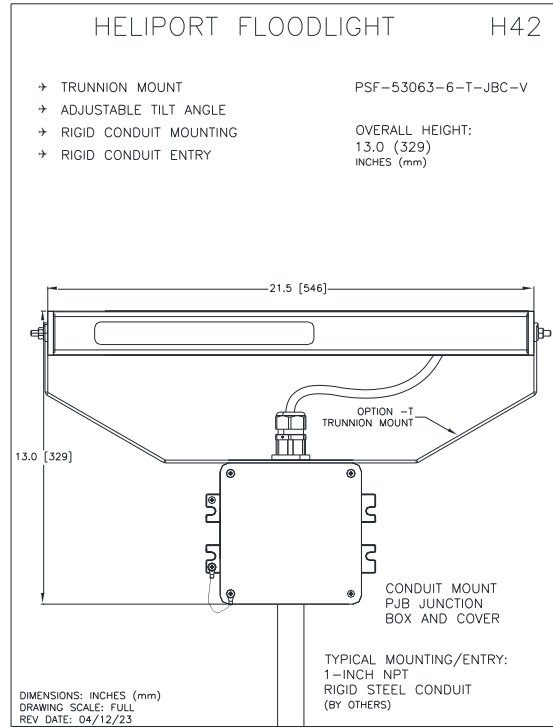
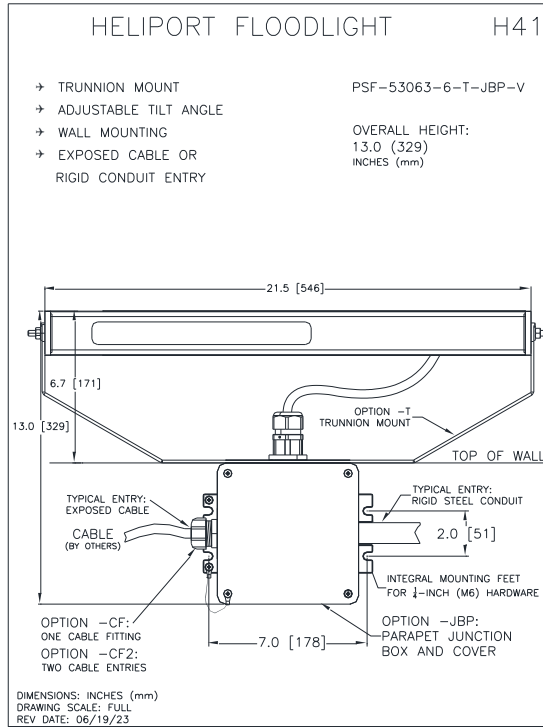
### H32

INTENTIONALLY LEFT BLANK

DIMENSIONS: INCHES (mm)  
DRAWING SCALE: FULL  
REV DATE: 04/05/23



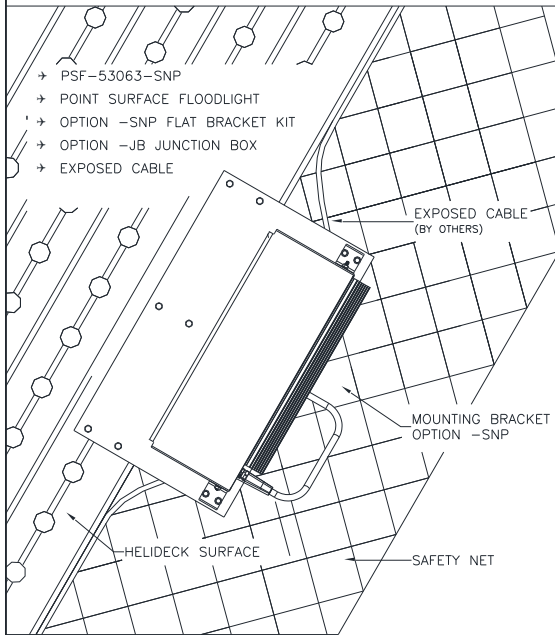




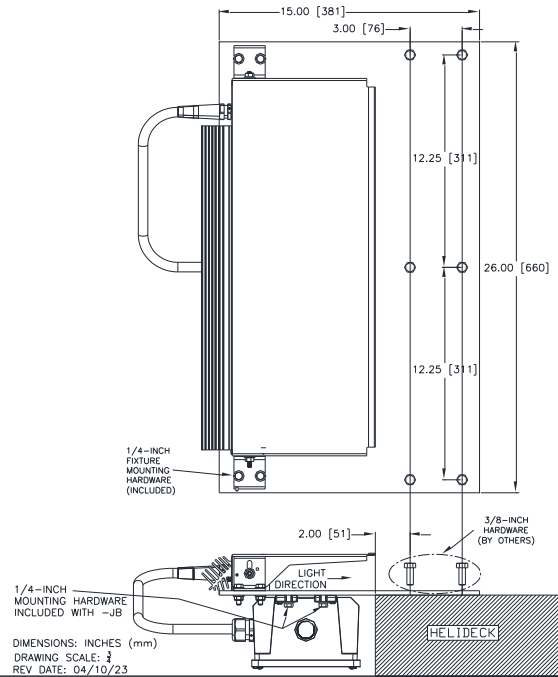


### HELIDECK FLOODLIGHT –SNP OPTION

H45



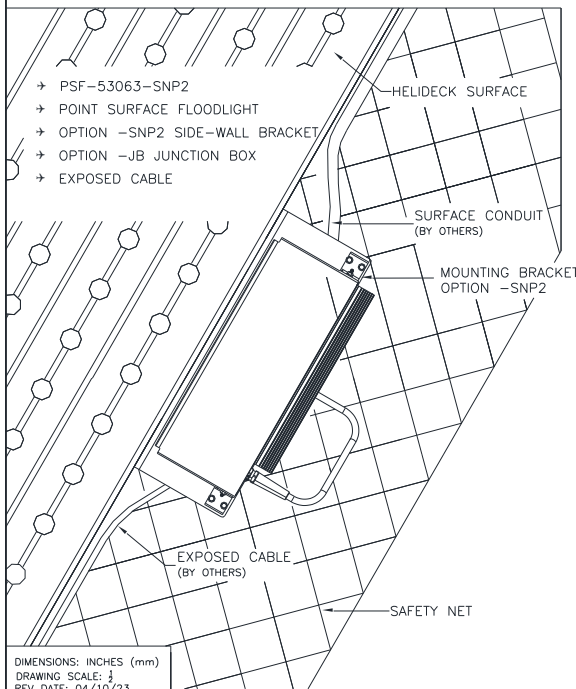
DIMENSIONS: INCHES (mm)  
DRAWING SCALE: 1/4"  
REV DATE: 04/10/23



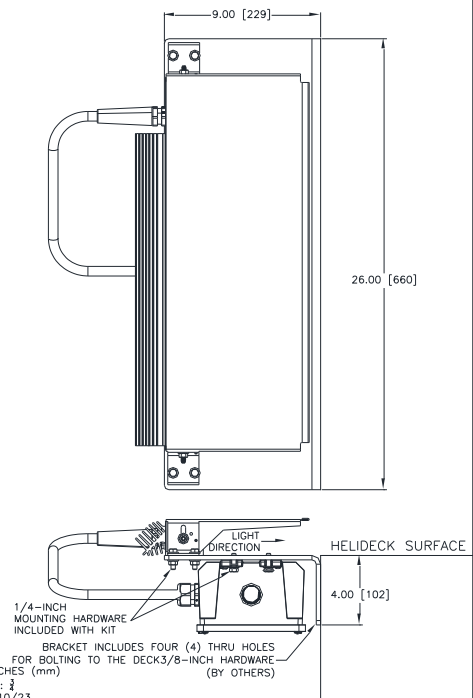
DIMENSIONS: INCHES (mm)  
DRAWING SCALE: 1/4"  
REV DATE: 04/10/23

### HELIDECK FLOODLIGHT –SNP2 OPTION

H48



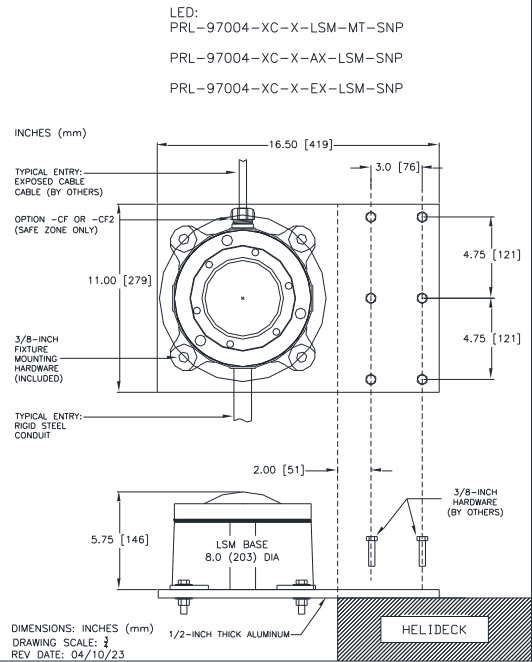
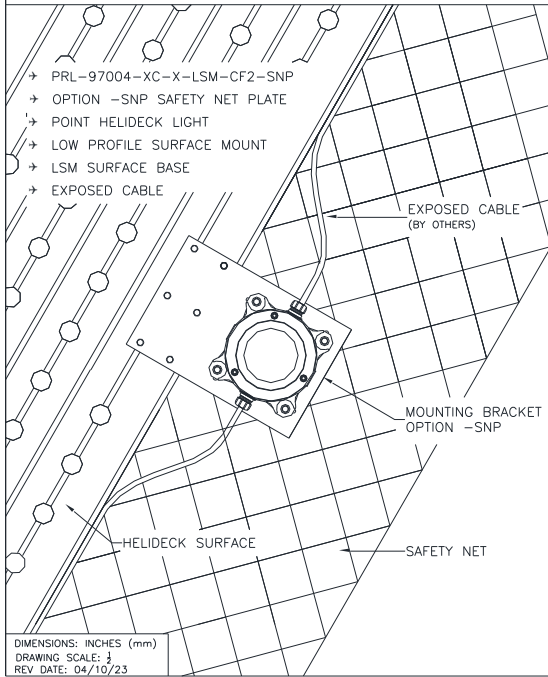
DIMENSIONS: INCHES (mm)  
DRAWING SCALE: 1/4"  
REV DATE: 04/10/23



DIMENSIONS: INCHES (mm)  
DRAWING SCALE: 1/4"  
REV DATE: 04/10/23

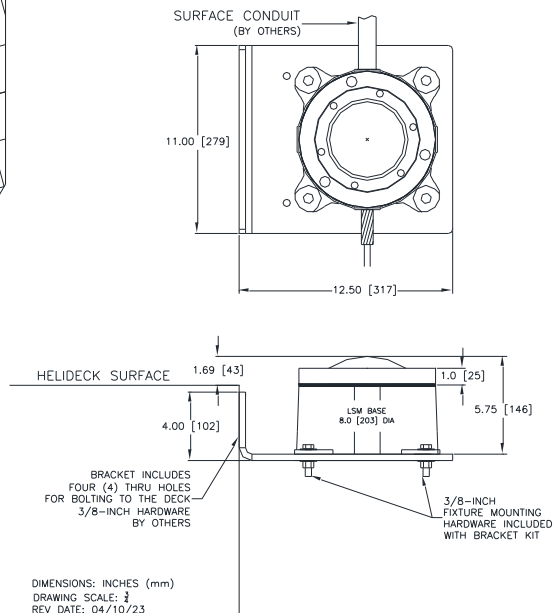
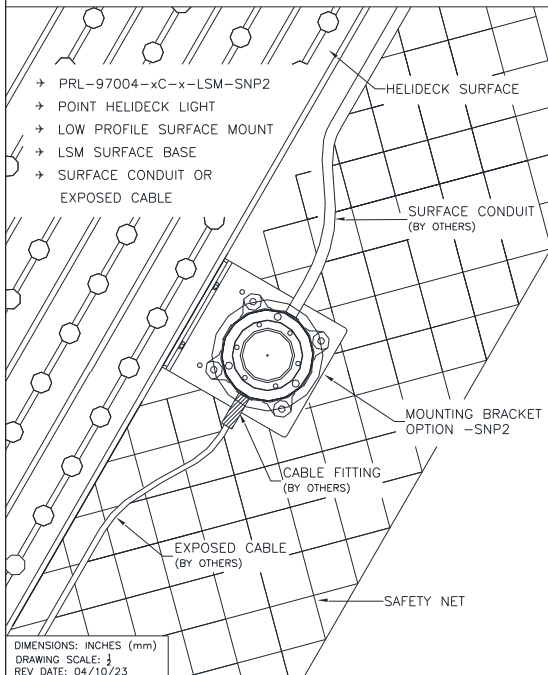
### HELIDECK PERIMETER LIGHT –SNP OPTION

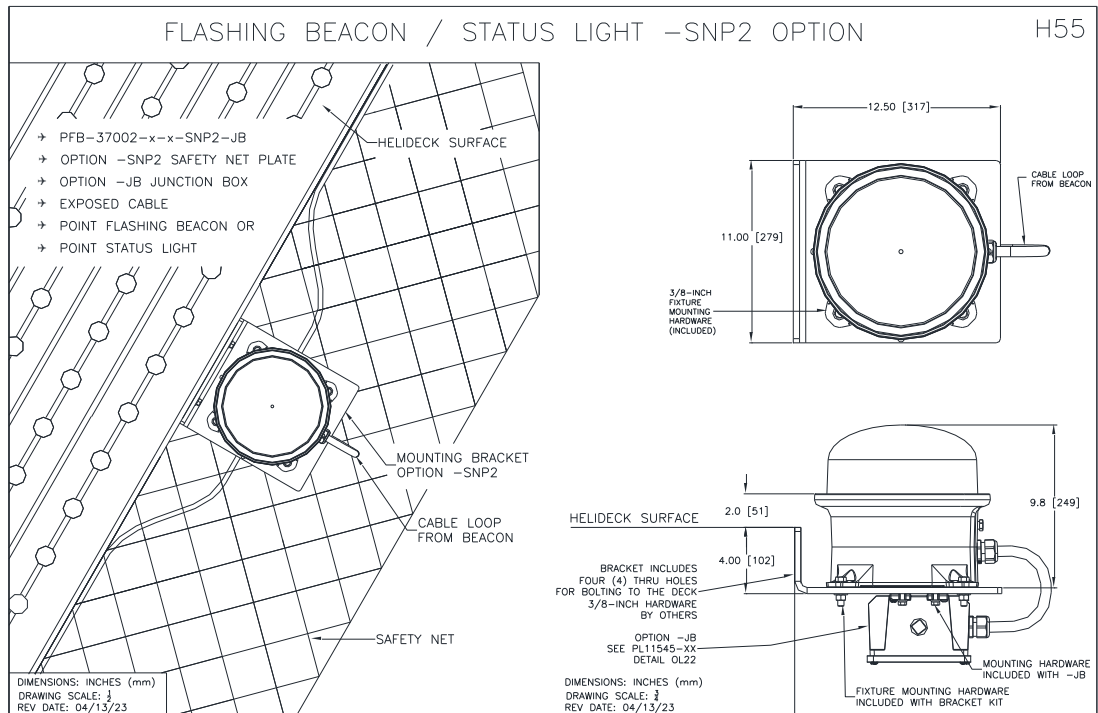
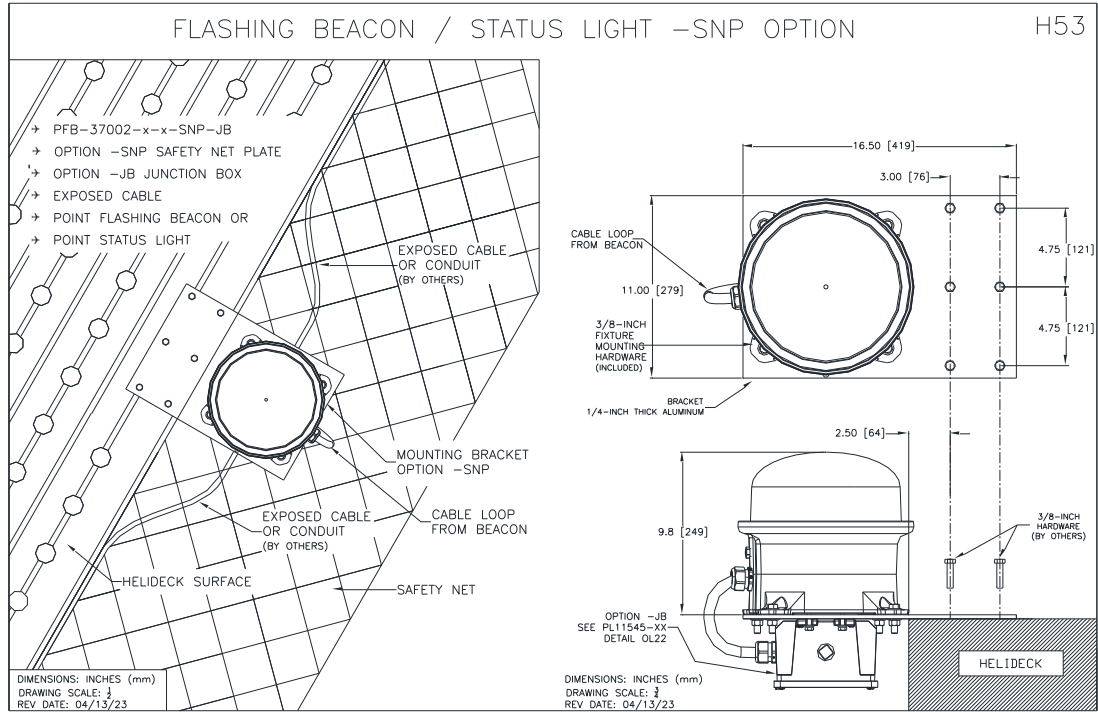
H49

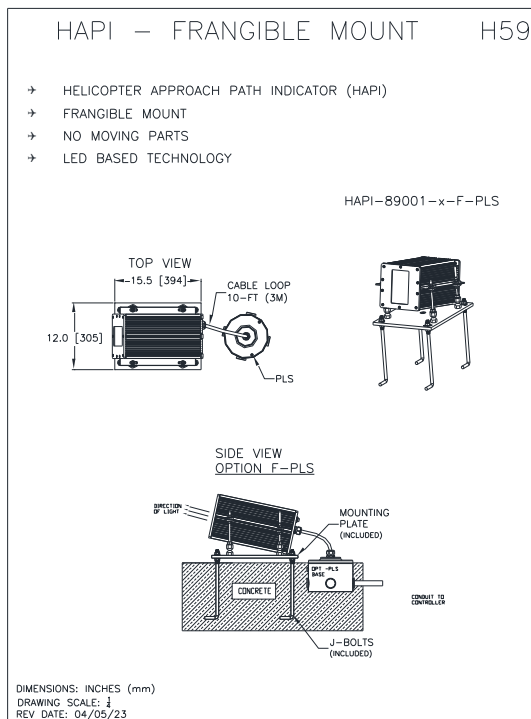
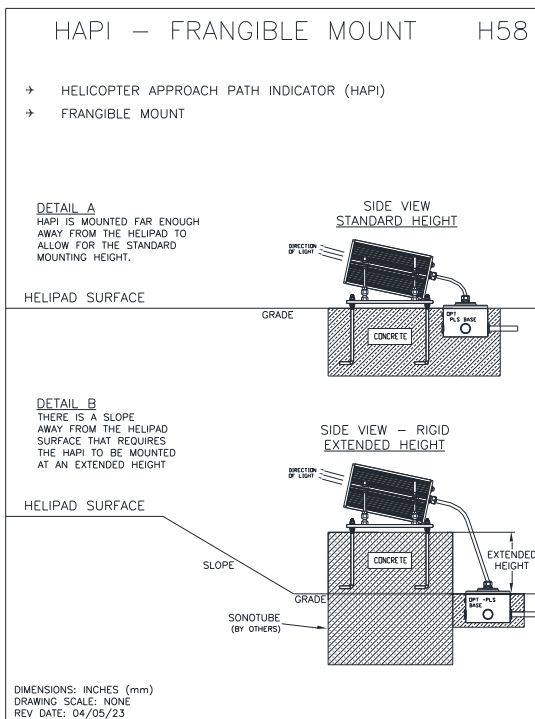
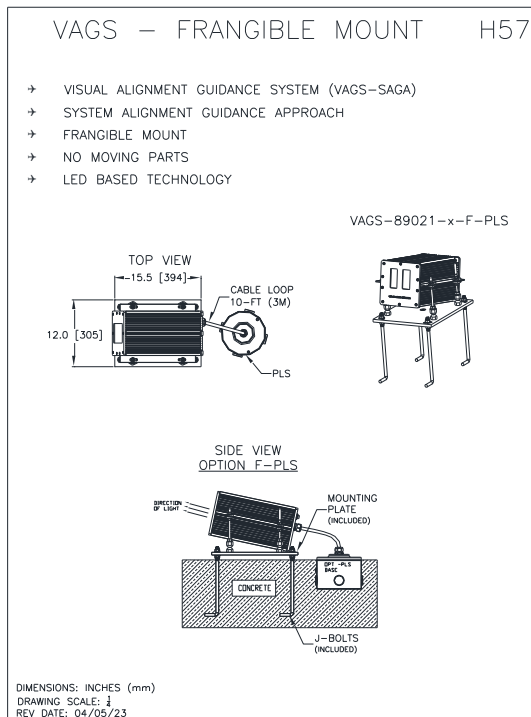
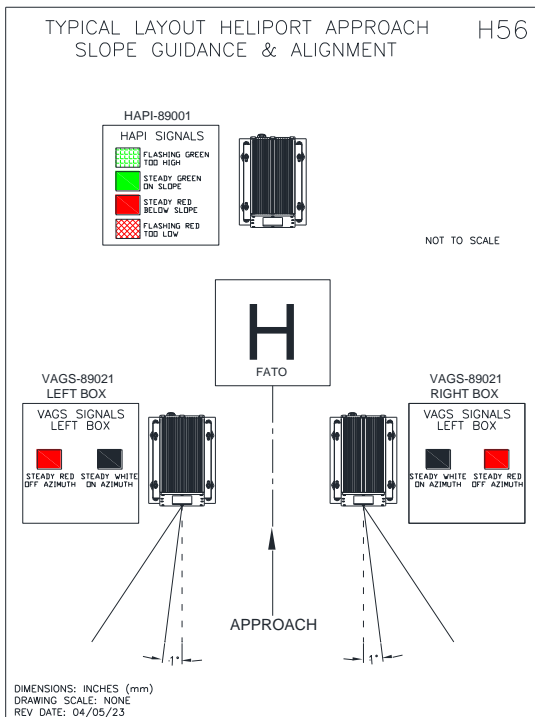


### HELIPORT PERIMETER LIGHT –SNP2 OPTION

H52



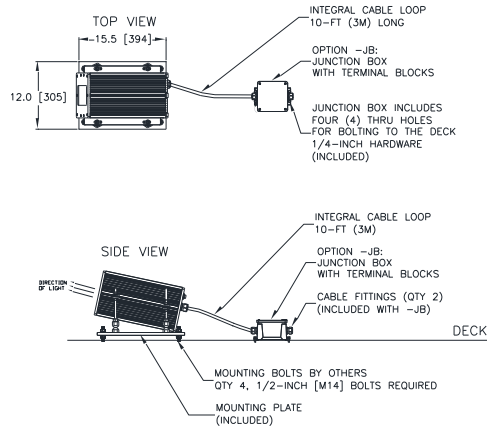




### HAPI – FRANGIBLE MOUNT H60

- HELICOPTER APPROACH PATH INDICATOR (HAPI)
- FRANGIBLE MOUNT
- NO MOVING PARTS
- LED BASED TECHNOLOGY
- JUNCTION BOX OPTION

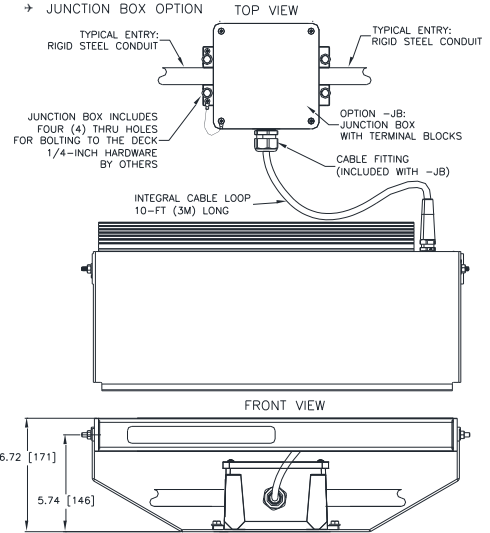
HAPI-89001-x-F-JB



DIMENSIONS: INCHES (mm)  
DRAWING SCALE: 1/2"  
REV DATE: 04/05/23

### HELIPORT FLOODLIGHT H61

- TRUNNION MOUNT PSF-53063-6-T-JB-V
- SURFACE MOUNT
- ADJUSTABLE TILT ANGLE
- JUNCTION BOX OPTION

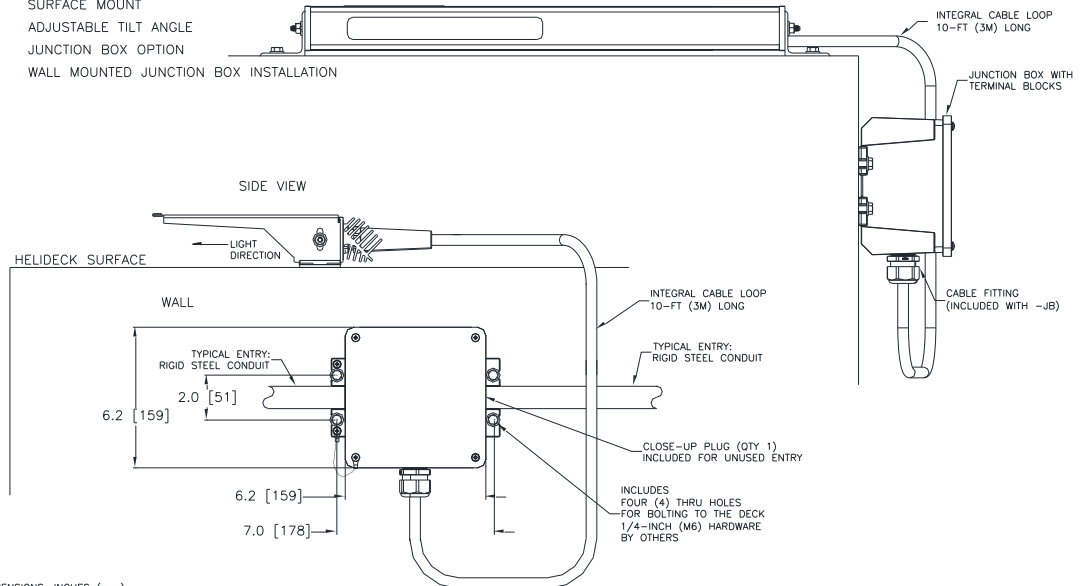


DIMENSIONS: INCHES (mm)  
DRAWING SCALE: 1/2"  
REV DATE: 04/05/23

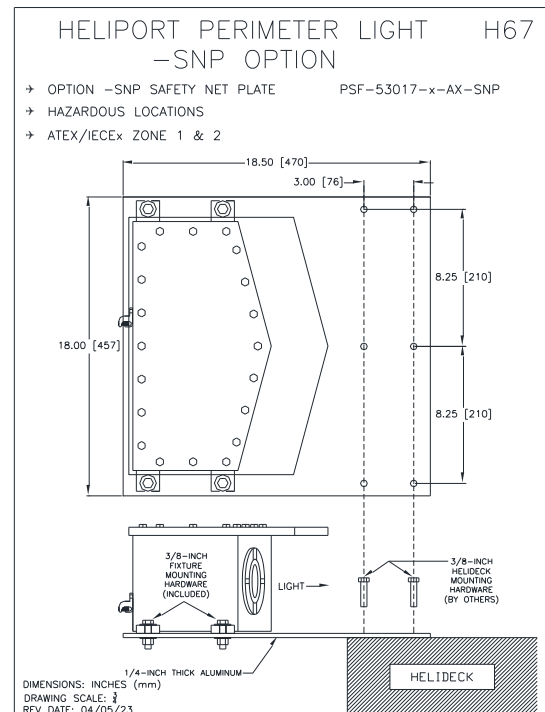
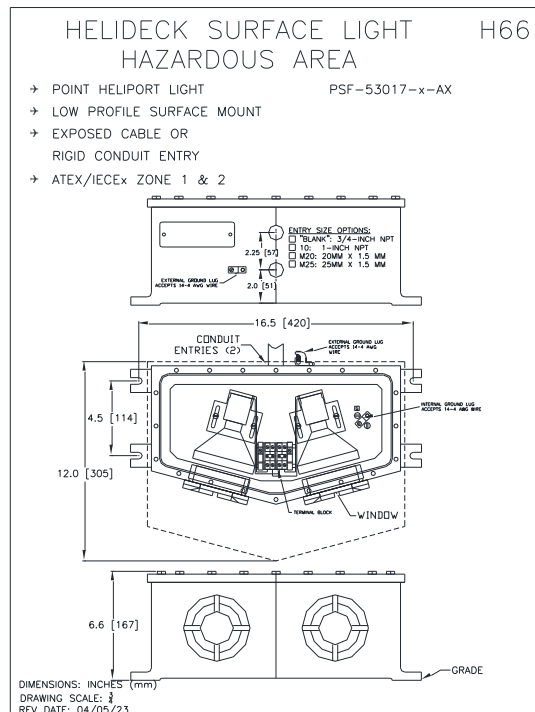
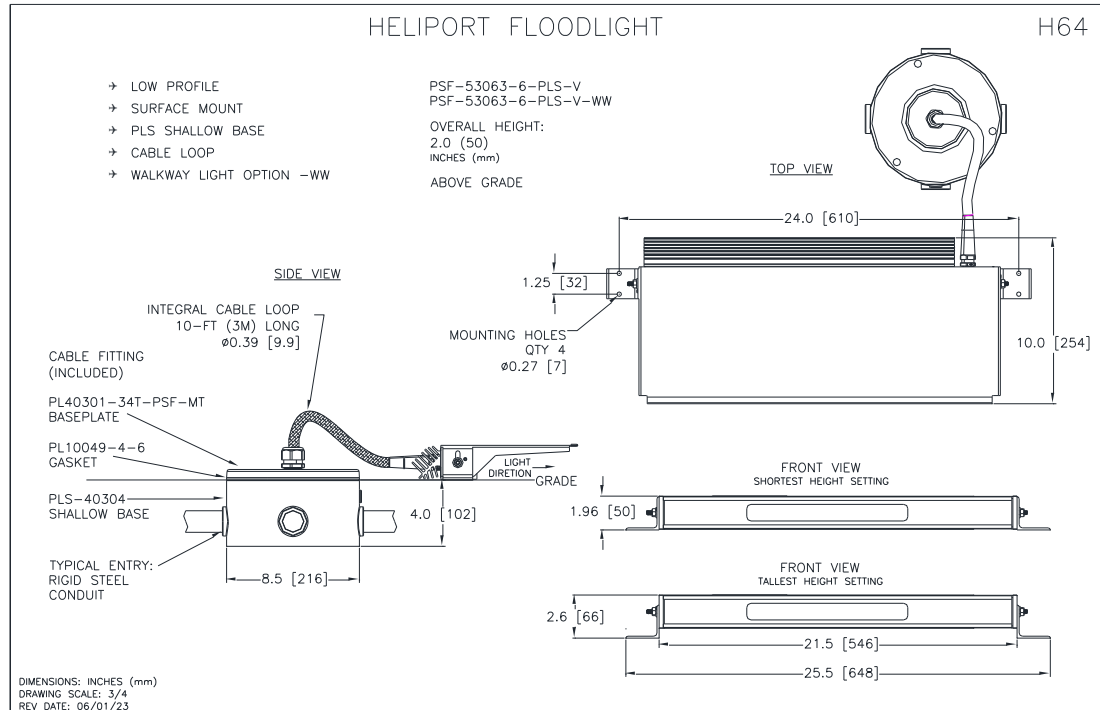
### HELIPORT FLOODLIGHT – JUNCTION BOX OPTION H63

- LOW PROFILE
- SURFACE MOUNT
- ADJUSTABLE TILT ANGLE
- JUNCTION BOX OPTION
- WALL MOUNTED JUNCTION BOX INSTALLATION

PSF-53063-6-JB-V

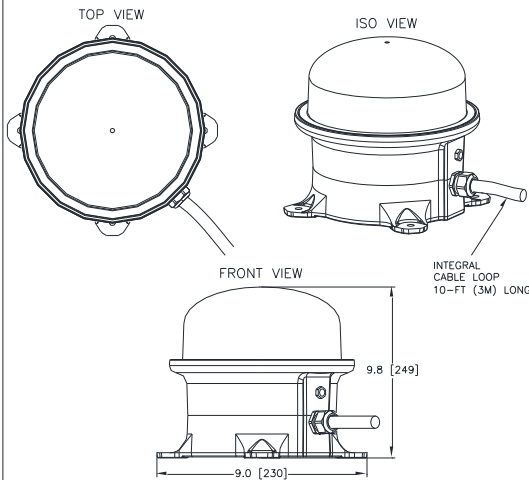


DIMENSIONS: INCHES (mm)  
DRAWING SCALE: FULL  
REV DATE: 04/05/23



#### HELIDECK STATUS LIGHT H68

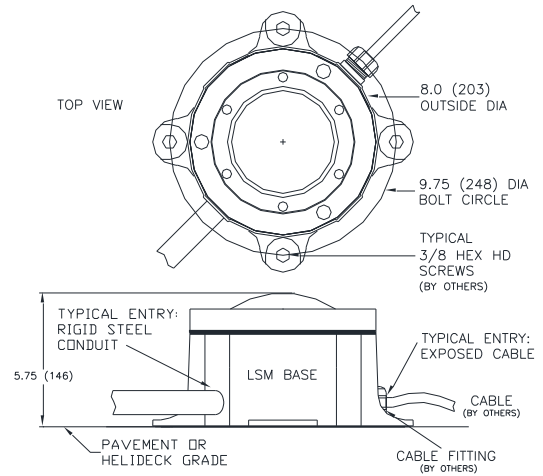
- CAP 437 OFFSHORE HELIDECK STATUS LIGHT SYSTEM PFB-37002-R-1-SL-NC PFB-37002-R-1-EX-SL-NC
- MAIN STATUS LIGHT
- HAZARDOUS LOCATIONS AVAILABLE CLASS 1, DIVISION 2 (ZONE 2)



DIMENSIONS: INCHES (mm)  
DRAWING SCALE: FULL  
REV DATE: 11/03/23

#### HELIDECK STATUS LIGHT H69

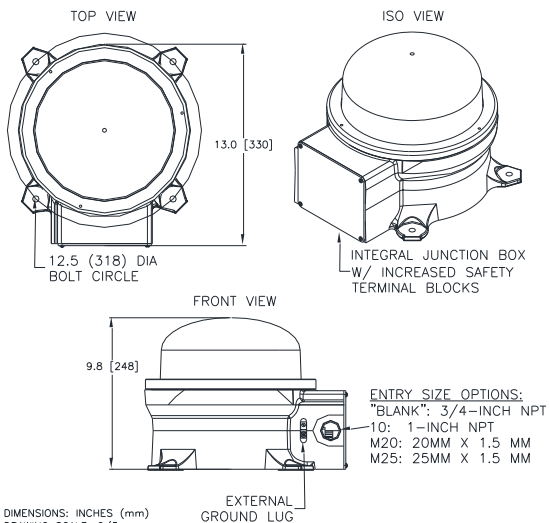
- CAP 437 OFFSHORE HELIDECK STATUS LIGHT SYSTEM PRL-97004-xC-R-LSM-NC-SL2 PRL-97004-xC-R-EX-LSM-NC-SL2 PRL-97004-xC-R-AX-LSM-NC-SL2
- REPEATER LIGHT
- HAZARDOUS LOCATIONS AVAILABLE CLASS 1, DIVISION 2 (ZONE 2) ATEX/IECEx ZONE 1 & 2



DIMENSIONS: INCHES (mm)  
DRAWING SCALE: FULL  
REV DATE: 11/03/23

#### HELIDECK STATUS LIGHT H70

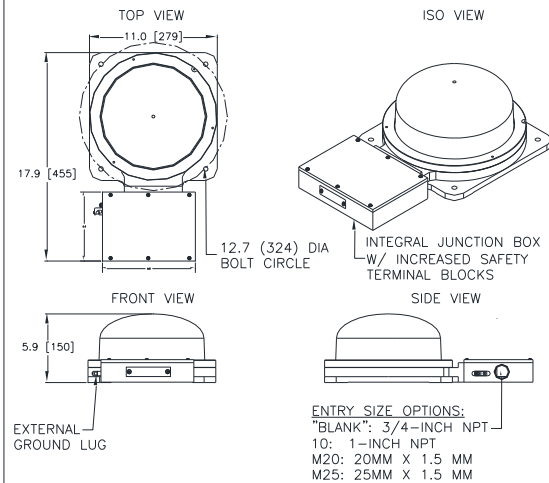
- CAP 437 OFFSHORE HELIDECK STATUS LIGHT SYSTEM PFB-37002-R-1-AX-SL-NC PFB-37002-R-4-AX-SL-NC
- MAIN STATUS LIGHT
- HAZARDOUS LOCATIONS
- ATEX/IECEx ZONE 1 & 2



DIMENSIONS: INCHES (mm)  
DRAWING SCALE: 2/3  
REV DATE: 11/06/23

#### HELIDECK STATUS LIGHT H71

- CAP 437 OFFSHORE HELIDECK STATUS LIGHT SYSTEM PFB-37002-R-FH-AX-SL-15CM-NC
- MAIN STATUS LIGHT FLASH HEAD
- HAZARDOUS LOCATIONS
- ATEX/IECEx ZONE 1 & 2
- REDUCED HEIGHT 15 CM TALL



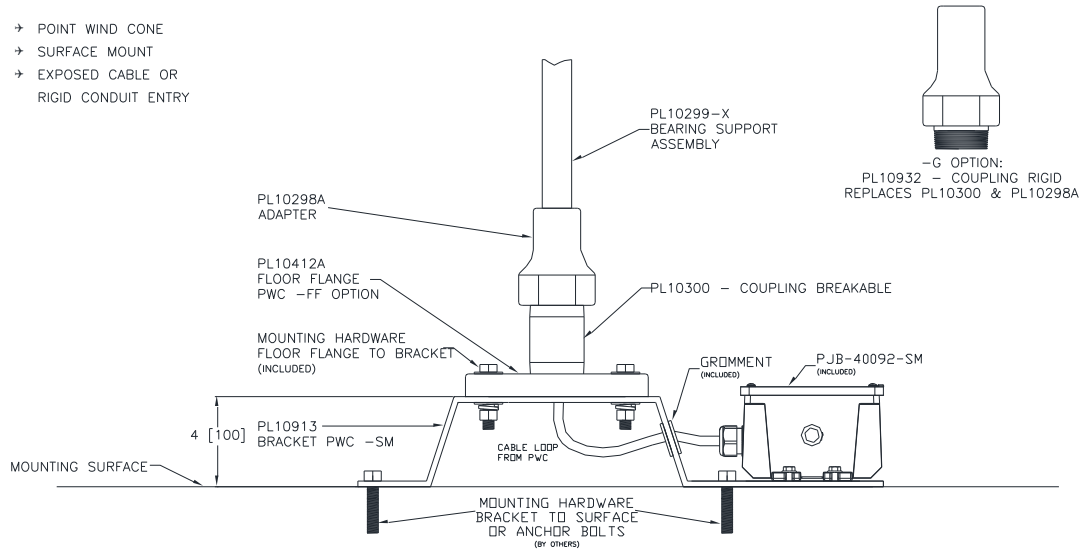
DIMENSIONS: INCHES (mm)  
DRAWING SCALE: 1/2  
REV DATE: 11/06/23

#### WIND CONE STAND MOUNT OPTION

W01

#### PWC OPTION -SM STAND MOUNT FOR WIND CONE PWC-8061X

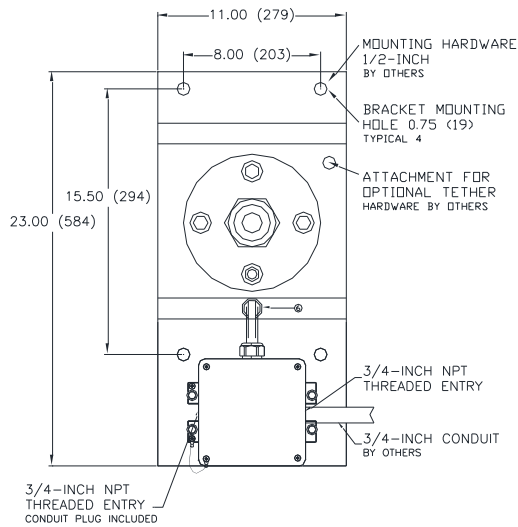
- POINT WIND CONE
- SURFACE MOUNT
- EXPOSED CABLE OR RIGID CONDUIT ENTRY



DIMENSIONS: INCHES (mm)  
DRAWING SCALE: FULL  
REV DATE: 08/16/23

#### PWC OPT -SM STAND MOUNT W03 FOR WIND CONE PWC-8061x

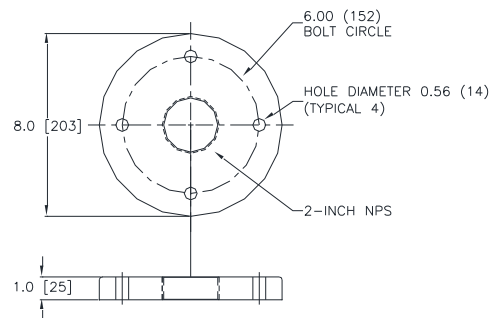
W03



DIMENSIONS: INCHES (mm)  
DRAWING SCALE: 3/4  
REV DATE: 04/05/23

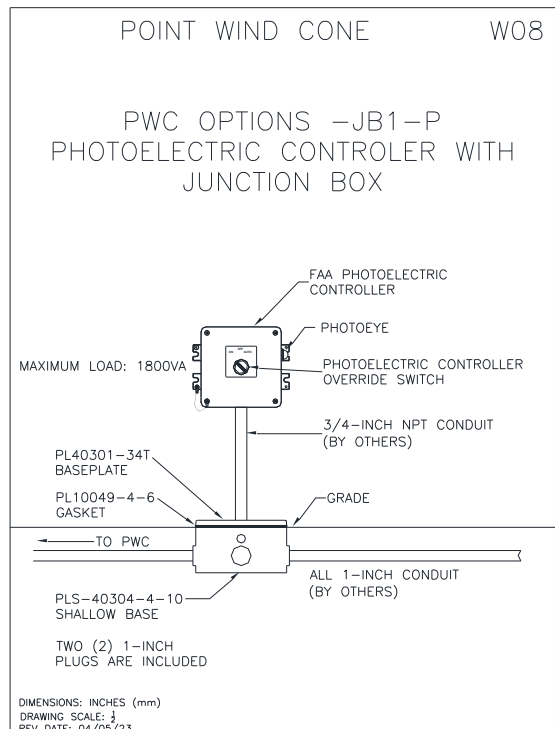
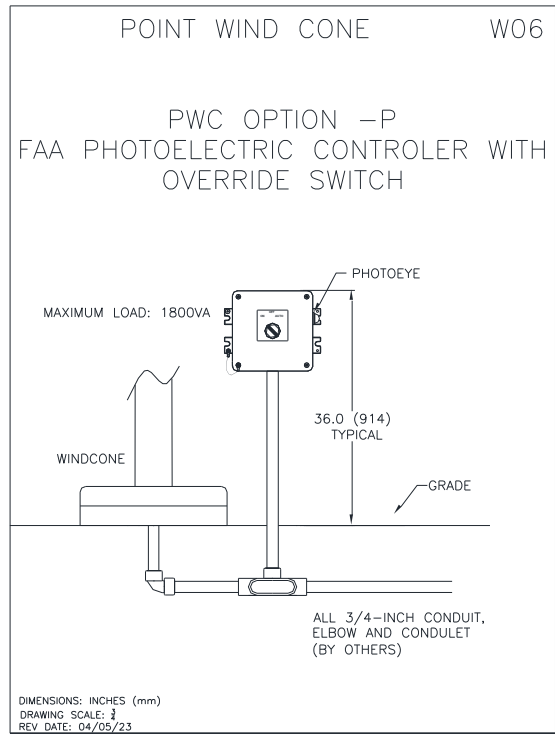
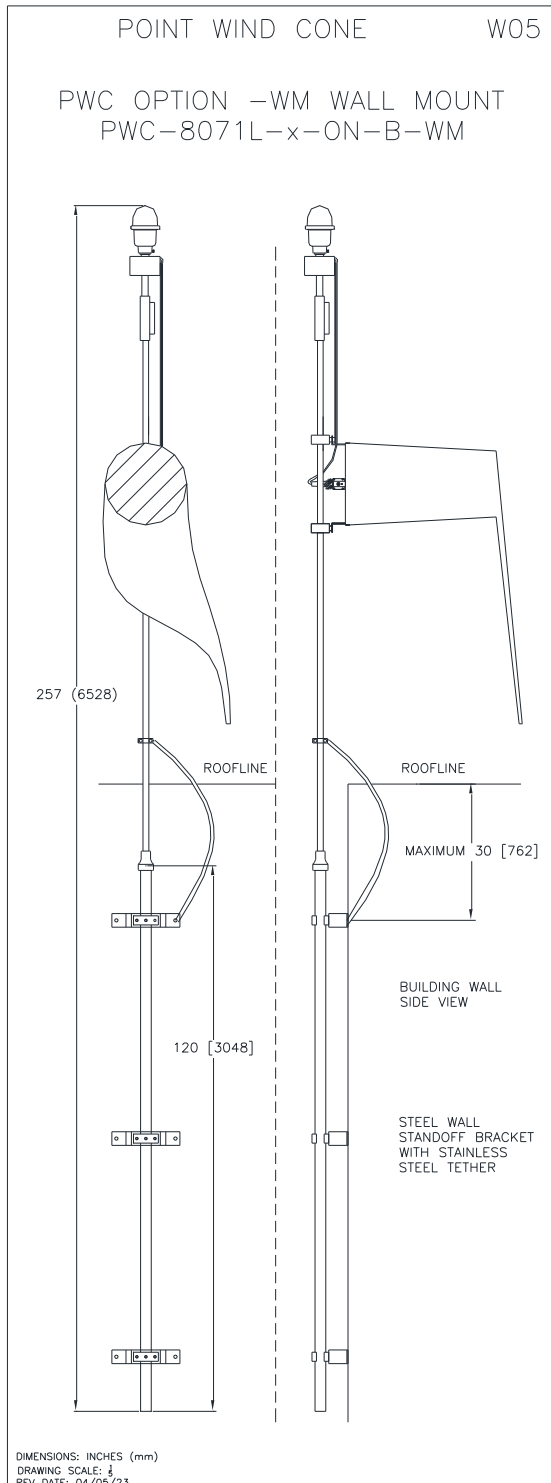
#### PWC OPT -FF FLOOR FLANG W04 FOR WIND CONE PWC-8061x MOUNTING PATTERN

W04



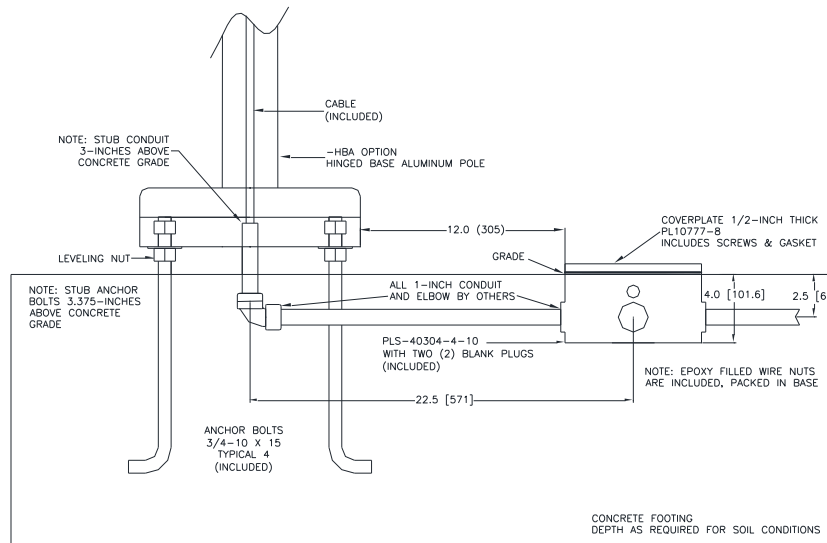
DIMENSIONS: INCHES (mm)  
DRAWING SCALE: FULL  
REV DATE: 04/05/23





PWC OPTION -JB  
FOR WIND CONE PWC-8071X

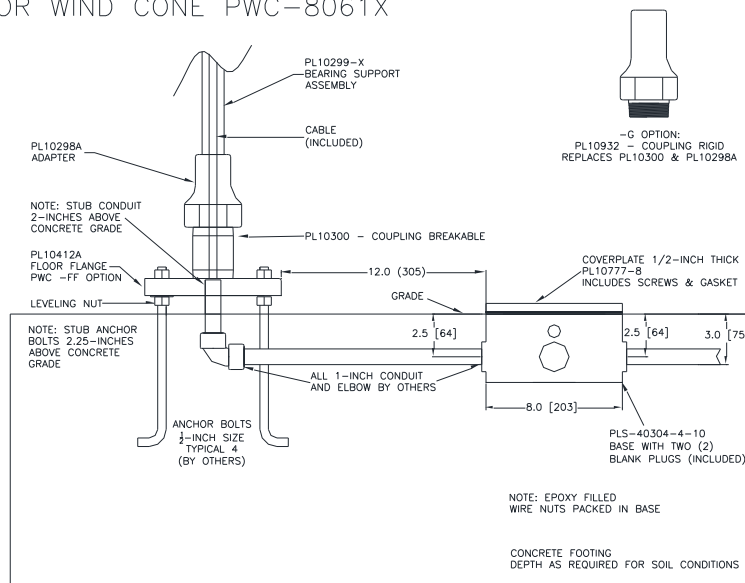
W09



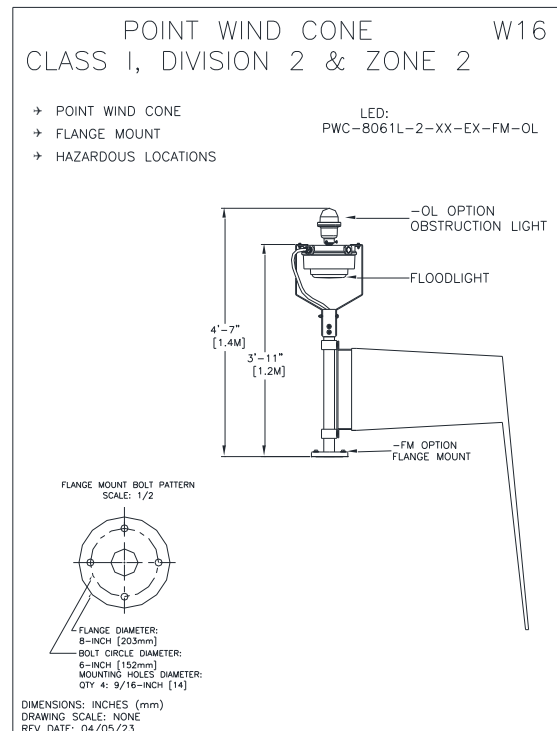
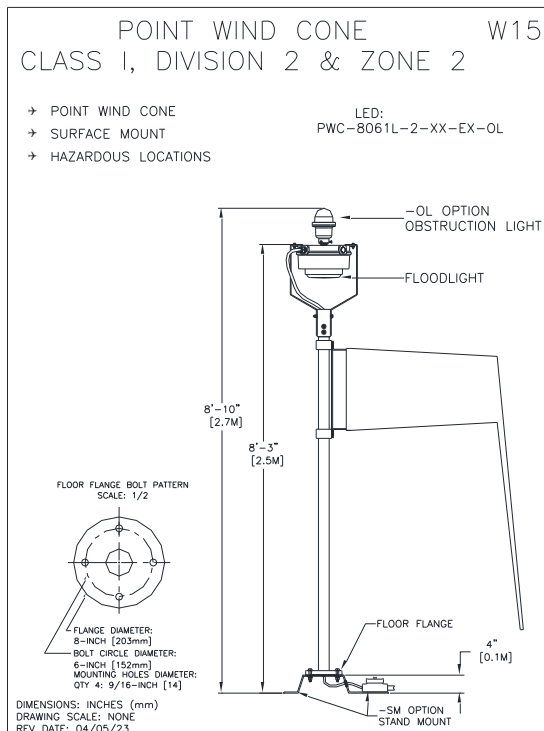
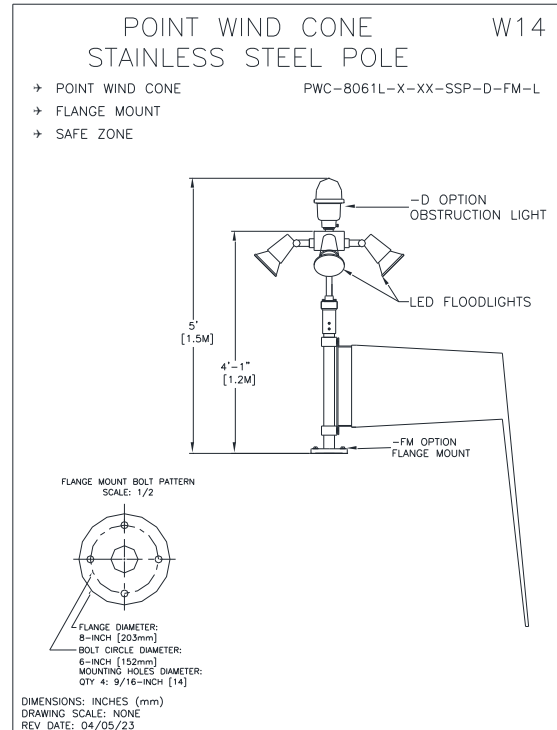
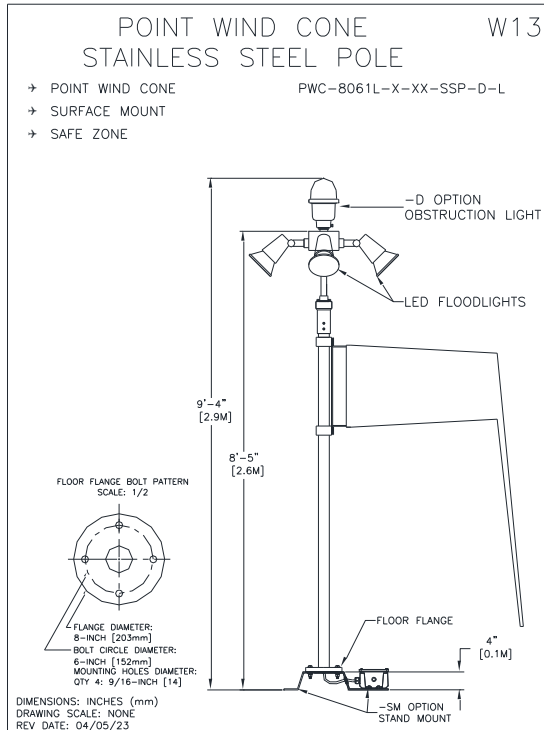
DIMENSIONS: INCHES (mm)  
DRAWING SCALE: 3/4

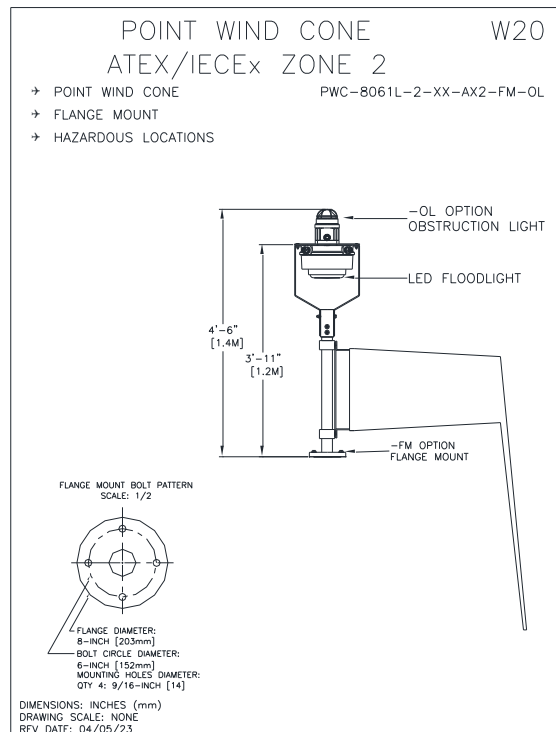
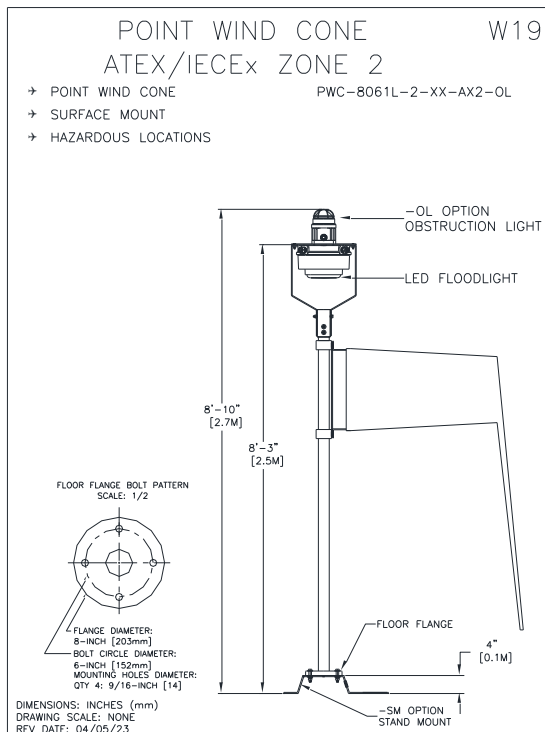
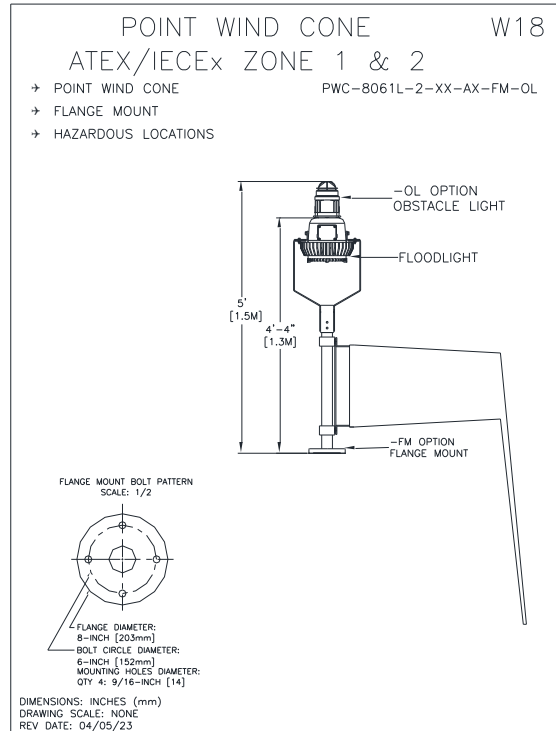
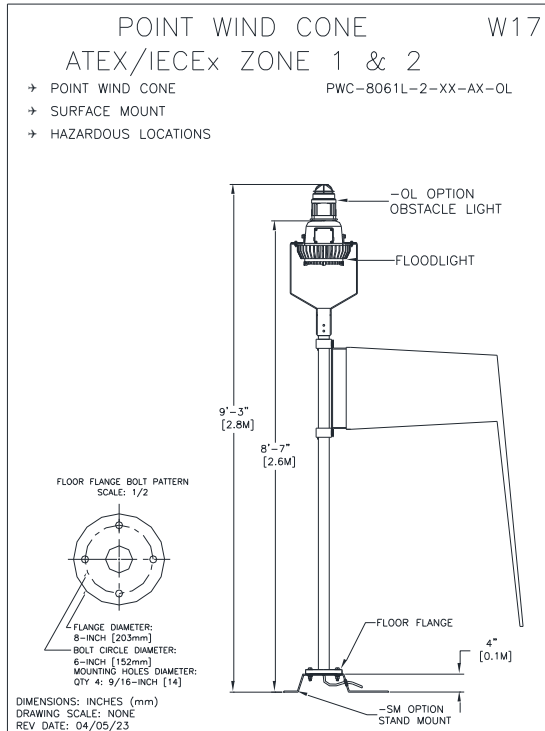
PWC OPTION -JB  
FOR WIND CONE PWC-8061X

W12



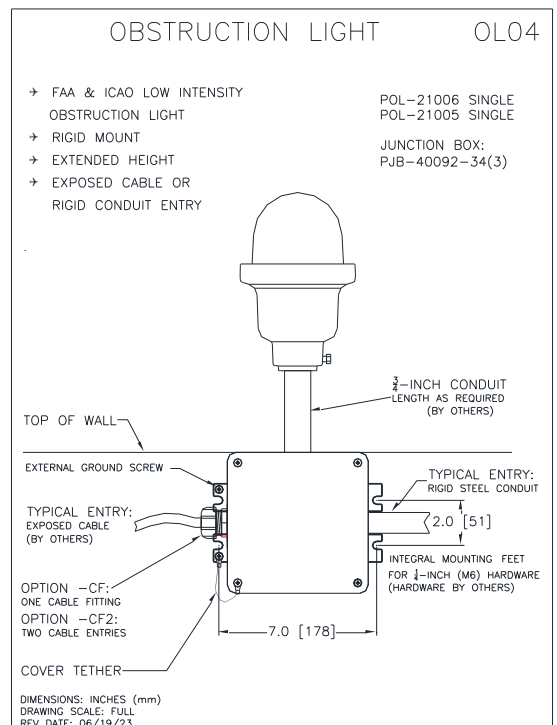
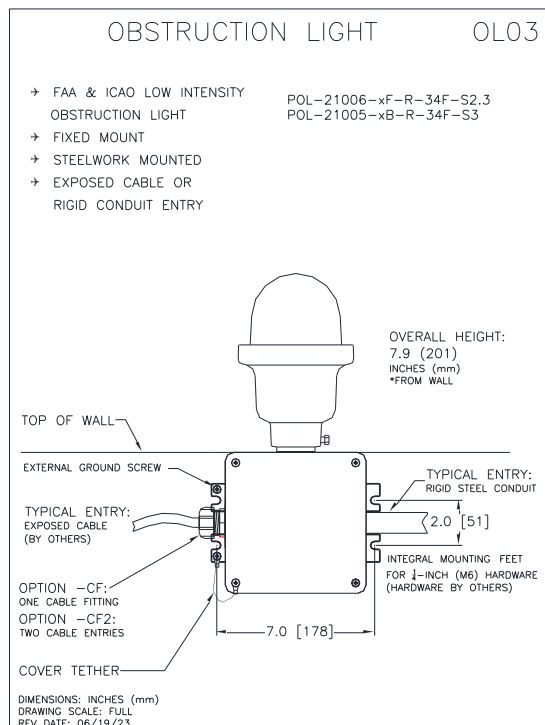
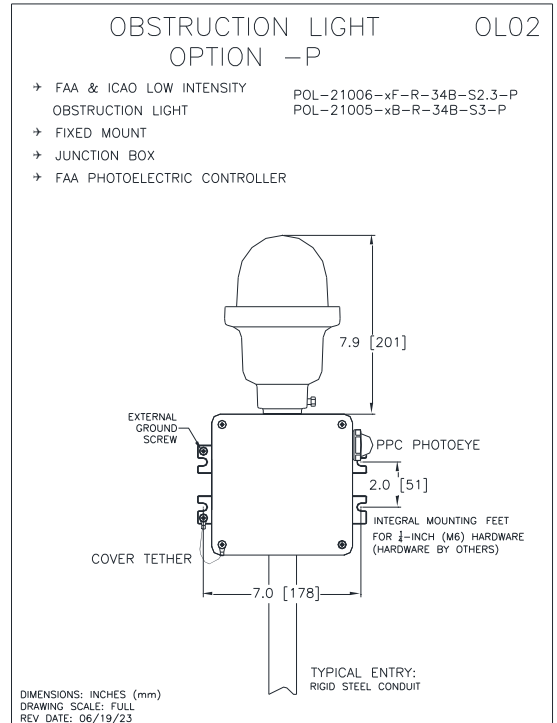
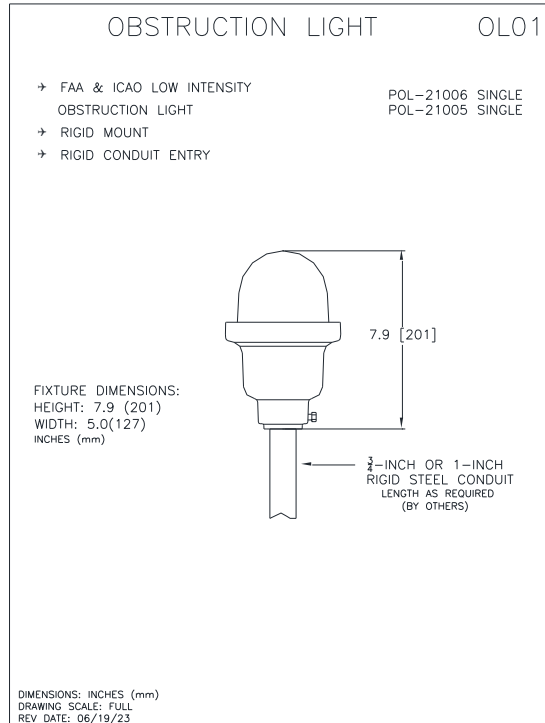
DIMENSIONS: INCHES (mm)  
DRAWING SCALE: 3/4





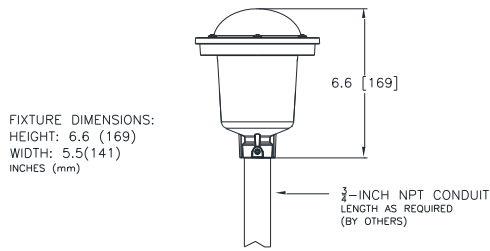
## POINT LIGHTING SPECIFICATION GUIDANCE

### PRODUCT MOUNTING DETAILS



### OBSTRUCTION LIGHT OL01.7

- FAA & ICAO LOW INTENSITY OBSTRUCTION LIGHT
  - RIGID MOUNT
  - RIGID CONDUIT ENTRY
- POL-21007 SINGLE

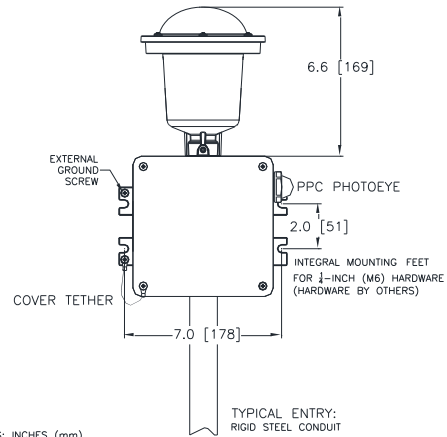


FIXTURE DIMENSIONS:  
HEIGHT: 6.6 (169)  
WIDTH: 5.5(141)  
INCHES (mm)

DIMENSIONS: INCHES (mm)  
DRAWING SCALE: FULL  
REV DATE: 06/19/23

### OBSTRUCTION LIGHT OL02.7 OPTION -P

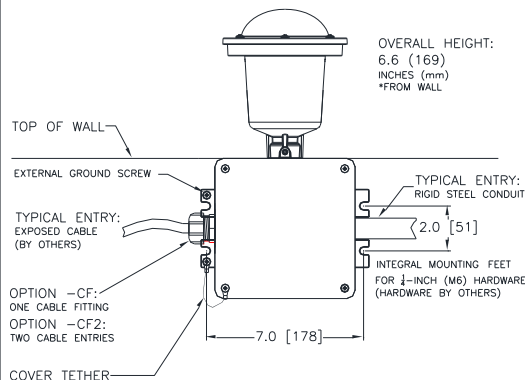
- FAA & ICAO LOW INTENSITY OBSTRUCTION LIGHT
  - FIXED MOUNT
  - JUNCTION BOX
  - FAA PHOTOELECTRIC CONTROLLER
- POL-21007-xB-R-34B-S3-P



DIMENSIONS: INCHES (mm)  
DRAWING SCALE: FULL  
REV DATE: 06/19/23

### OBSTRUCTION LIGHT OL03.7

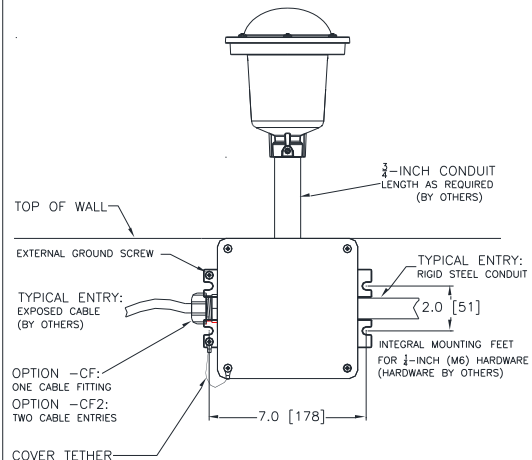
- FAA & ICAO LOW INTENSITY OBSTRUCTION LIGHT
  - FIXED MOUNT
  - STEELWORK MOUNTED
  - EXPOSED CABLE OR RIGID CONDUIT ENTRY
- POL-21007-xB-R-34F-S3



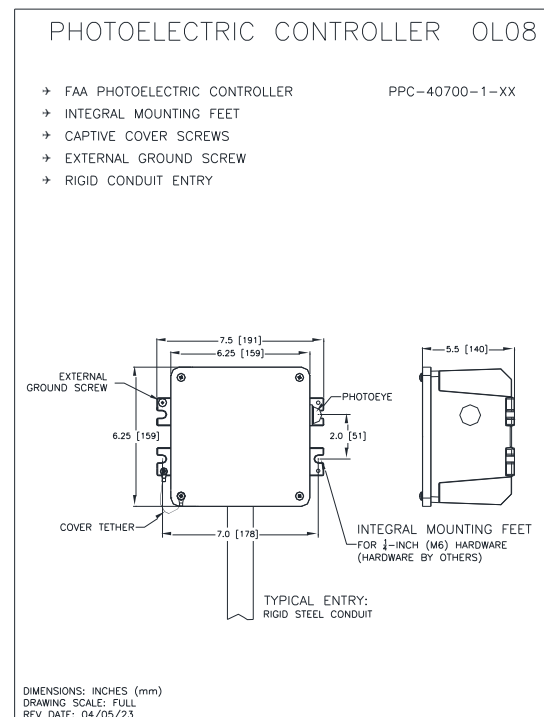
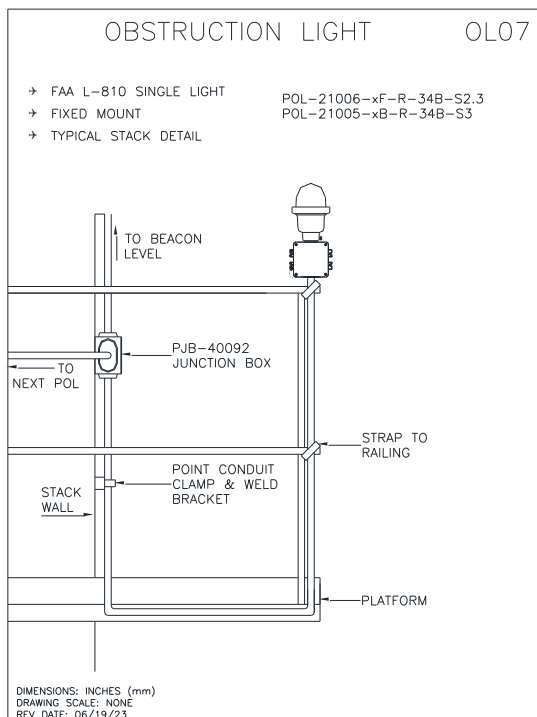
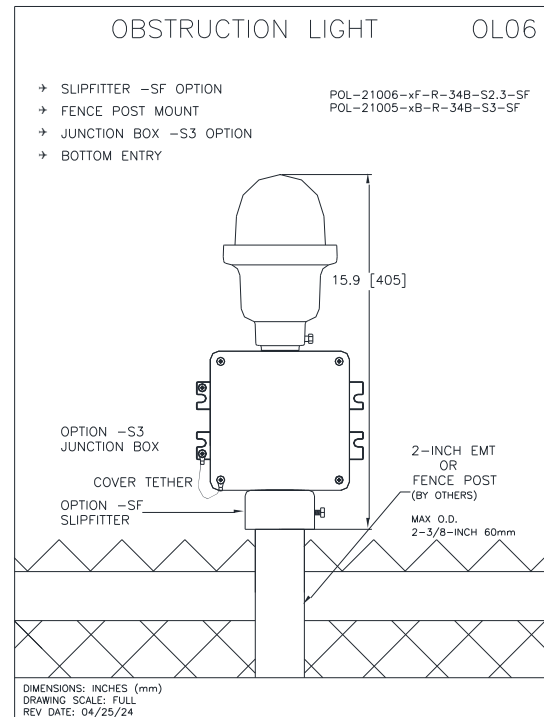
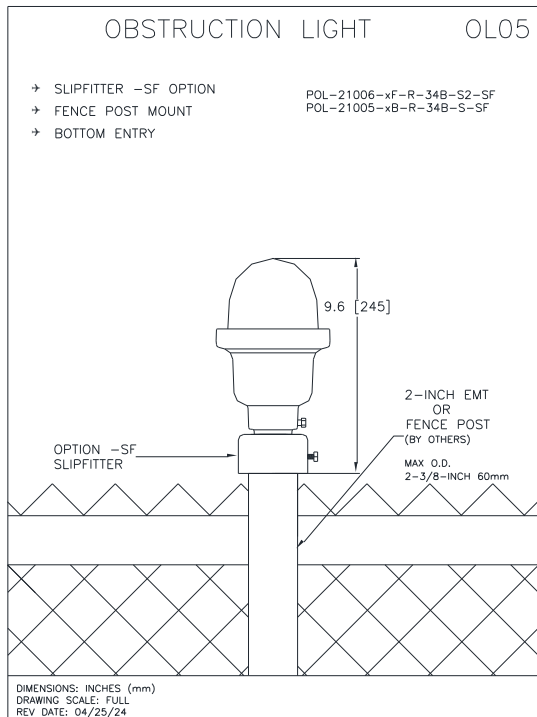
DIMENSIONS: INCHES (mm)  
DRAWING SCALE: FULL  
REV DATE: 06/19/23

### OBSTRUCTION LIGHT OL04.7

- FAA & ICAO LOW INTENSITY OBSTRUCTION LIGHT
  - RIGID MOUNT
  - EXTENDED HEIGHT
  - EXPOSED CABLE OR RIGID CONDUIT ENTRY
- POL-21007 SINGLE  
JUNCTION BOX:  
PJB-40092-34(3)

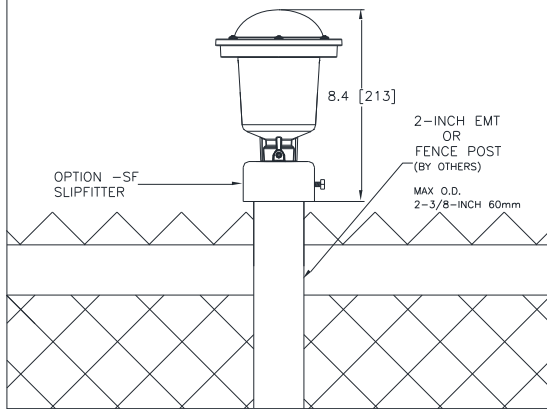


DIMENSIONS: INCHES (mm)  
DRAWING SCALE: FULL  
REV DATE: 06/19/23



## OBSTRUCTION LIGHT OL05.7

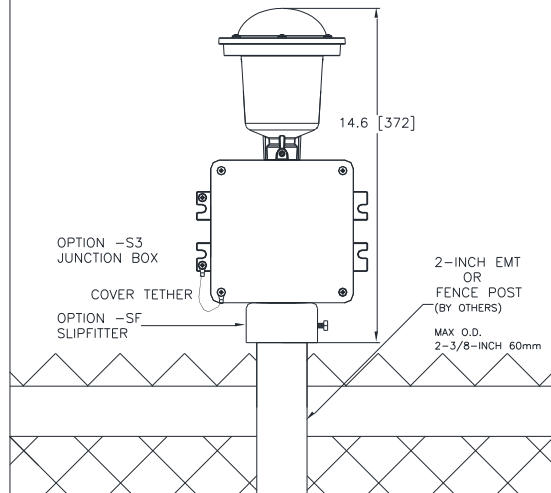
- SLIPFITTER -SF OPTION
  - FENCE POST MOUNT
  - BOTTOM ENTRY
- POL-21007-xB-R-34B-S-SF



DIMENSIONS: INCHES (mm)  
DRAWING SCALE: FULL  
REV DATE: 06/19/23

## OBSTRUCTION LIGHT OL06.7

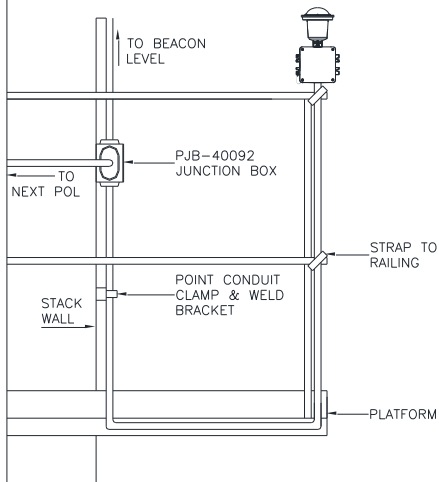
- SLIPFITTER -SF OPTION
  - FENCE POST MOUNT
  - JUNCTION BOX -S3 OPTION
  - BOTTOM ENTRY
- POL-21007-xB-R-34B-S3-SF



DIMENSIONS: INCHES (mm)  
DRAWING SCALE: FULL  
REV DATE: 06/19/23

## OBSTRUCTION LIGHT OL07.7

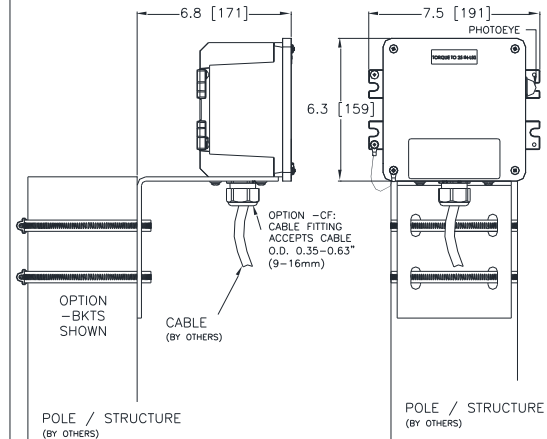
- FAA L-810 SINGLE LIGHT
  - FIXED MOUNT
  - TYPICAL STACK DETAIL
- POL-21007-xB-R-34B-S3



DIMENSIONS: INCHES (mm)  
DRAWING SCALE: NONE  
REV DATE: 06/19/23

## PHOTOELECTRIC CONTROLLER OL08.7

- FAA PHOTOELECTRIC CONTROLLER
  - BRACKET MOUNT
  - EXPOSED CABLE ENTRY
- PPC-4070x-1-34T-BKT-CF  
PPC-4070x-1-34T-BKTU-CF  
PPC-4070x-1-34T-BKTS-CF  
SEE OL10.7



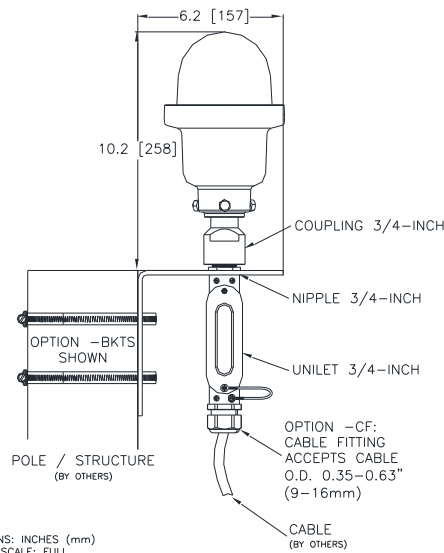
DIMENSIONS: INCHES (mm)  
DRAWING SCALE: FULL  
REV DATE: 10/17/23





### OBSTRUCTION LIGHT OL09 SINGLE OPTIONS -BKT/-BKTU/-BKTS

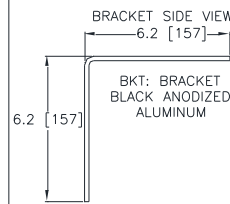
- SINGLE POL HEAD
  - BRACKET MOUNT
  - EXPOSED CABLE
- POL-21006-xF-R-34L-S2-x\*-CF  
 POL-21005-xB-R-34L-S-x\*-CF  
 x\* = -BKT/-BKTU/-BKTS  
 SEE OL10



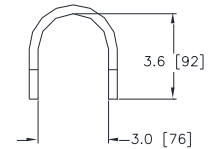
DIMENSIONS: INCHES (mm)  
 DRAWING SCALE: FULL  
 REV DATE: 11/03/23

### OBSTRUCTION LIGHT OL10 OPTIONS -BKT/-BKTU/-BKTS

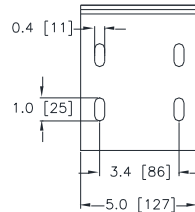
- BRACKET MOUNT
- TOWER MOUNT
- BKT: BRACKET ONLY
- BKTU: BRACKET AND U-BOLTS
- BKTS: BRACKET AND STRAPS



OPTION BKTU: U-BOLTS  
 FOR USE WITH 2 1/2" POLE  
 QTY 2 INCLUDED



BRACKET FRONT VIEW



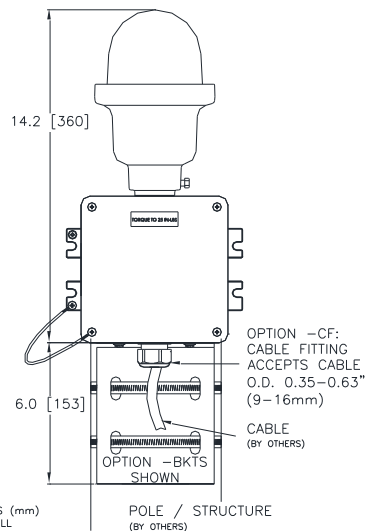
OPTION BKTS: 1/2" STRAPS  
 FOR USE WITH 2.0"-5.0" POLE  
 QTY 2 INCLUDED



DIMENSIONS: INCHES (mm)  
 DRAWING SCALE: FULL  
 REV DATE: 11/03/23

### OBSTRUCTION LIGHT OL11 SINGLE WITH JUNCTION BOX OPTIONS -BKT/-BKTU/-BKTS

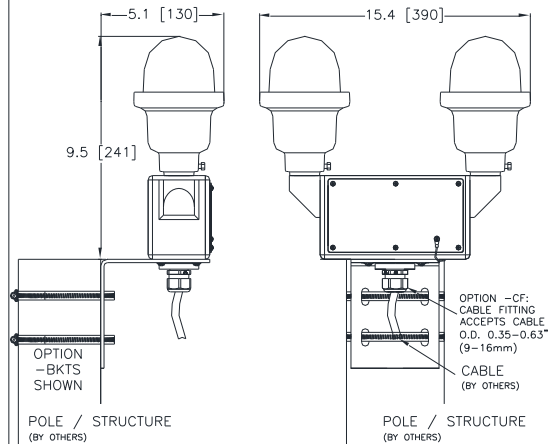
- SINGLE POL W/ JUNCTION BOX
  - BRACKET MOUNT
  - EXPOSED CABLE ENTRY
- POL-21006-xF-R-34L-S2-x\*-CF  
 POL-21005-xB-R-34L-S-x\*-CF  
 x\* = -BKT/-BKTU/-BKTS  
 SEE OL10



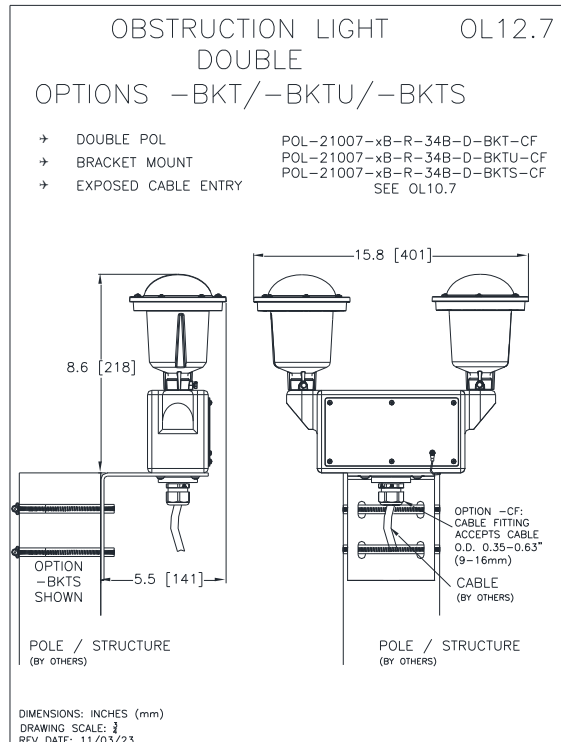
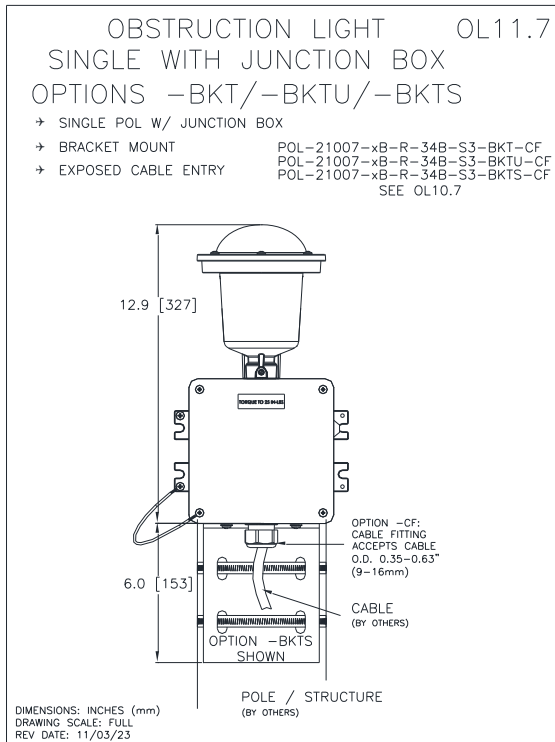
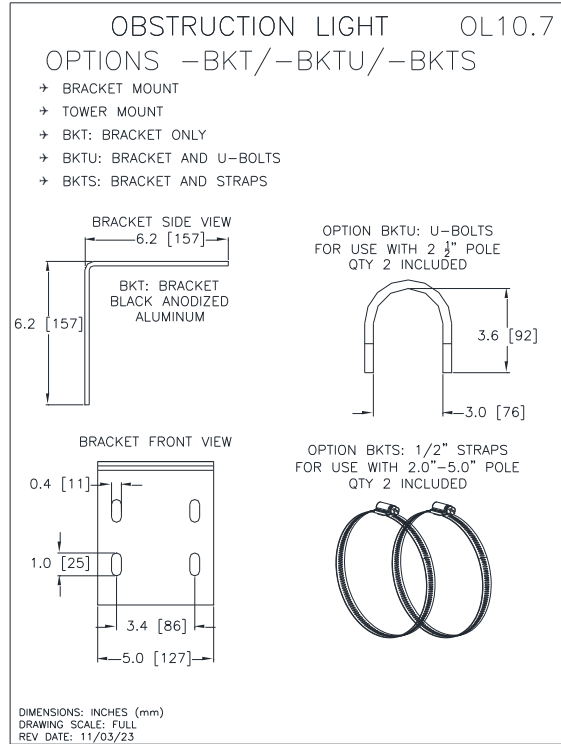
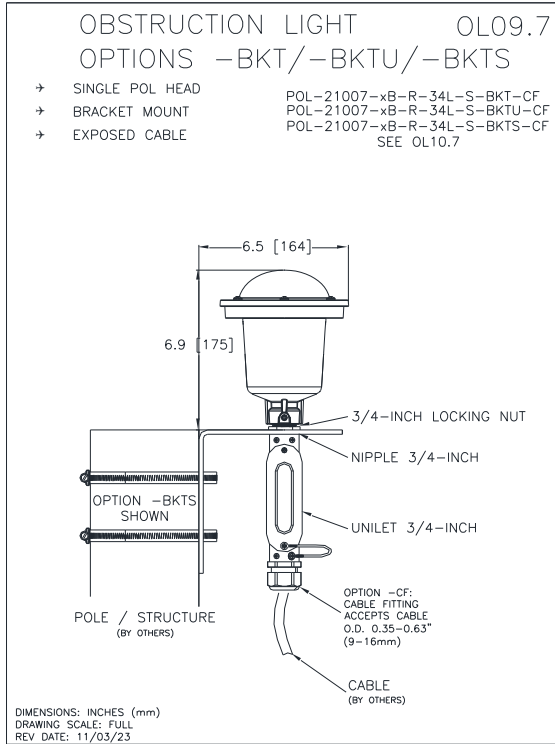
DIMENSIONS: INCHES (mm)  
 DRAWING SCALE: FULL  
 REV DATE: 11/03/23

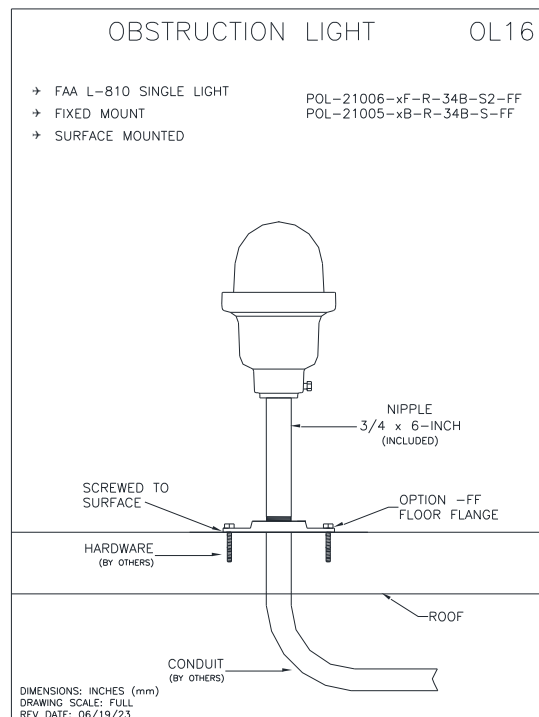
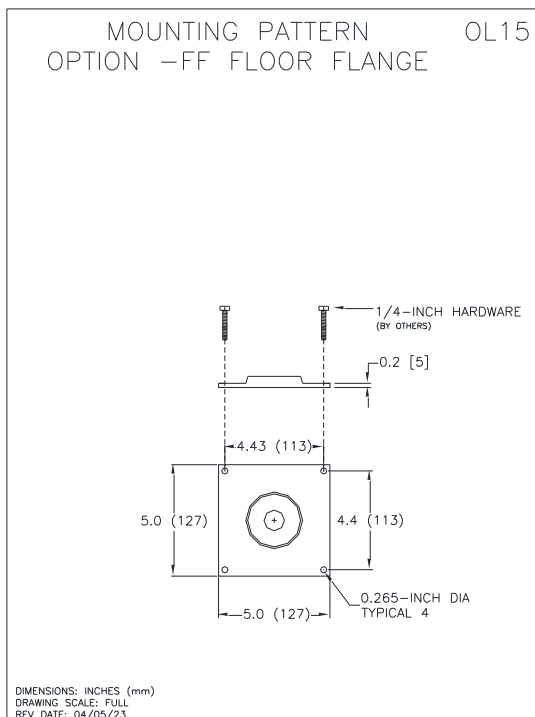
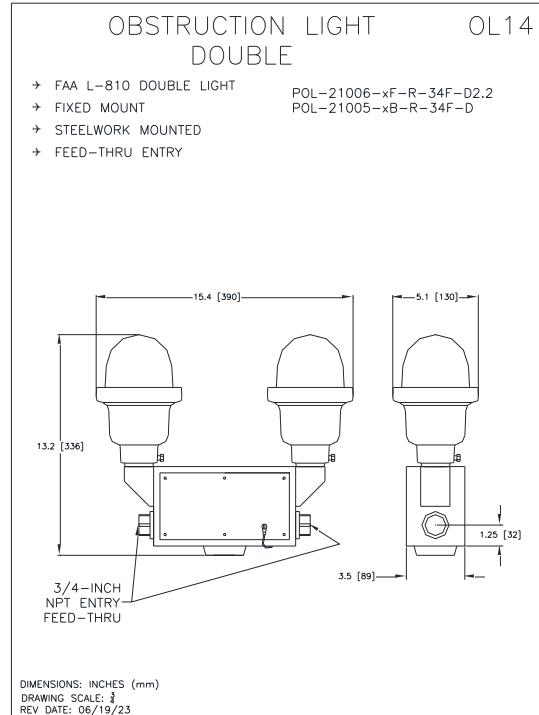
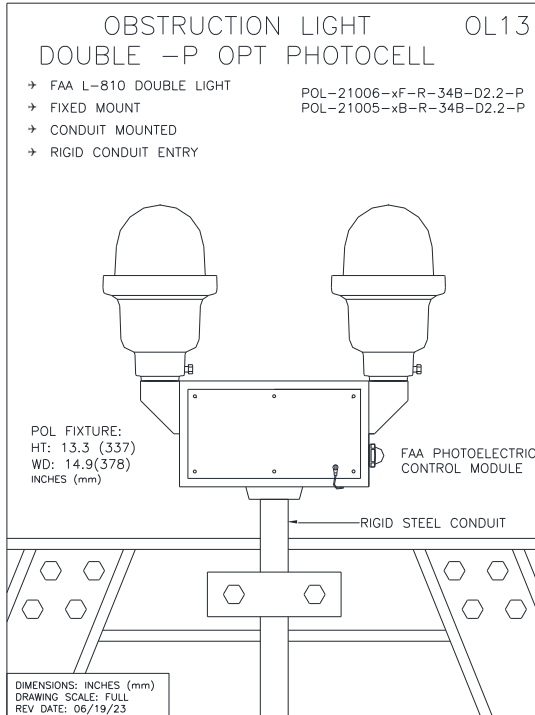
### OBSTRUCTION LIGHT OL12 DOUBLE OPTIONS -BKT/-BKTU/-BKTS

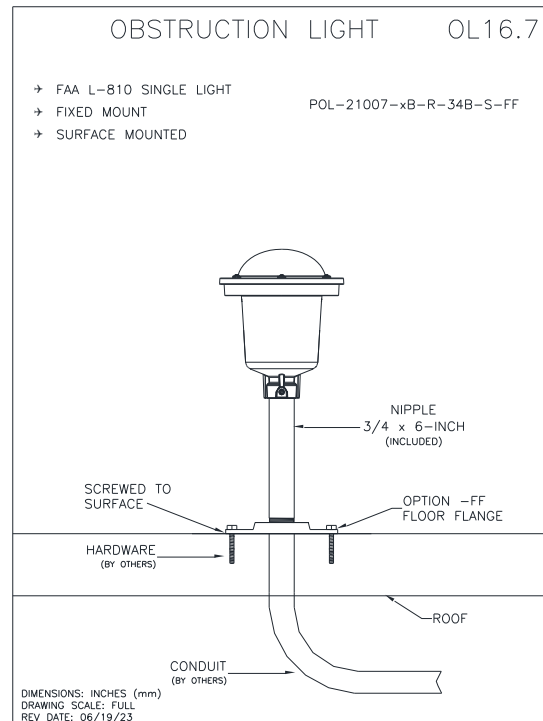
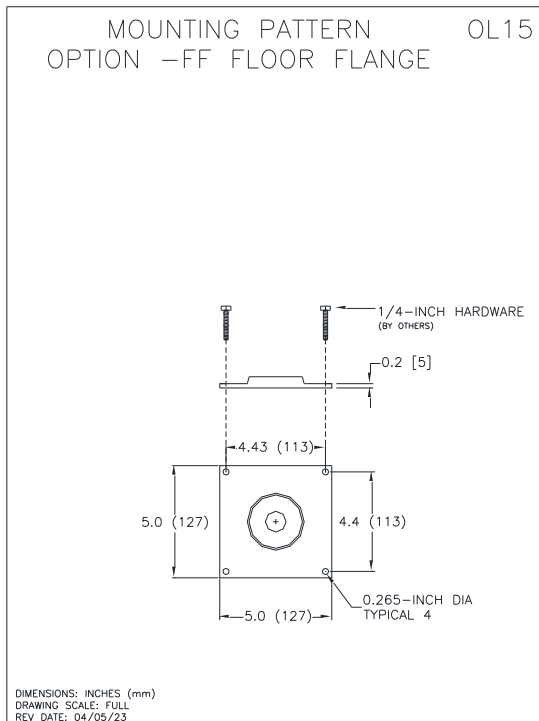
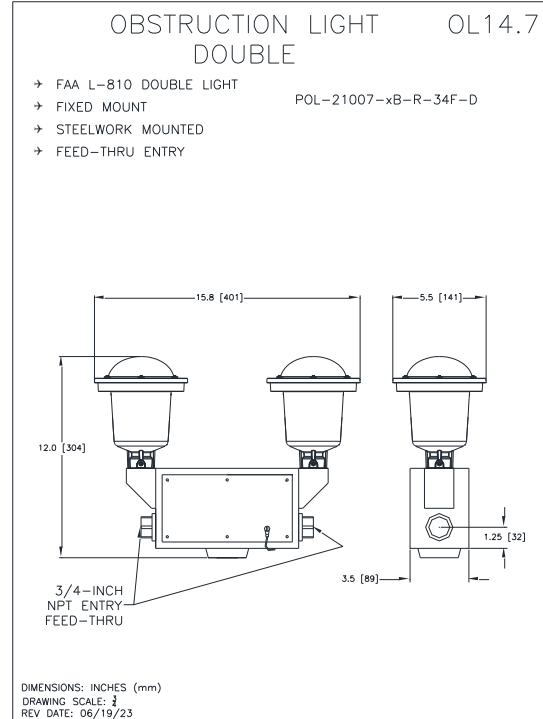
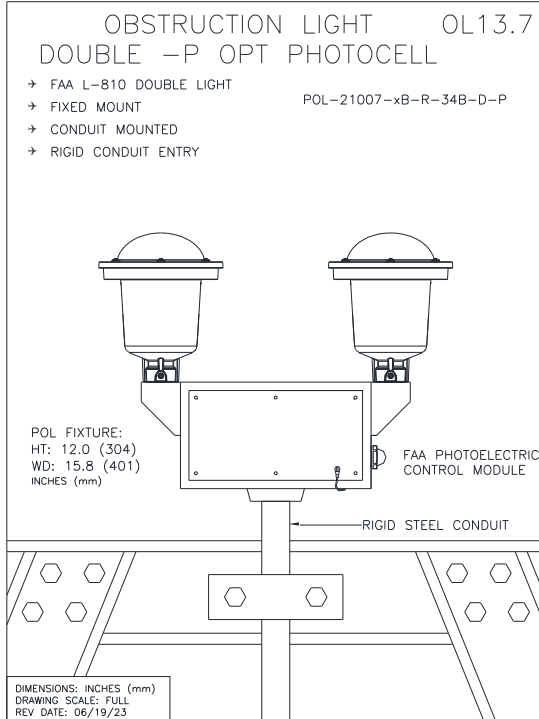
- DOUBLE POL
  - BRACKET MOUNT
  - EXPOSED CABLE ENTRY
- POL-21006-xF-R-34L-S2-x\*-CF  
 POL-21005-xB-R-34L-S-x\*-CF  
 x\* = -BKT/-BKTU/-BKTS  
 SEE OL10



DIMENSIONS: INCHES (mm)  
 DRAWING SCALE: 1/2  
 REV DATE: 11/03/23







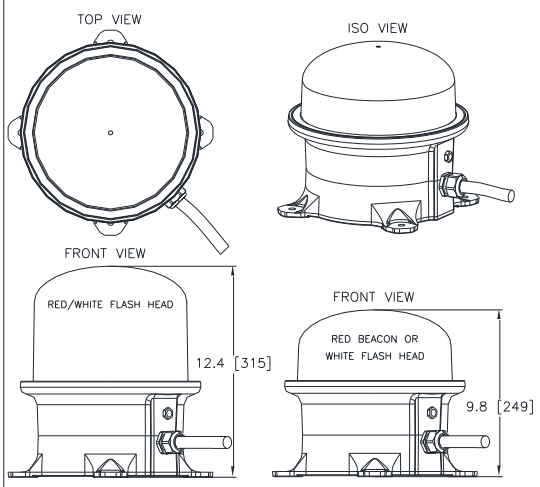


# POINT LIGHTING CORPORATION

## POINT LIGHTING SPECIFICATION GUIDANCE PRODUCT MOUNTING DETAILS

### FLASHING BEACON OL17

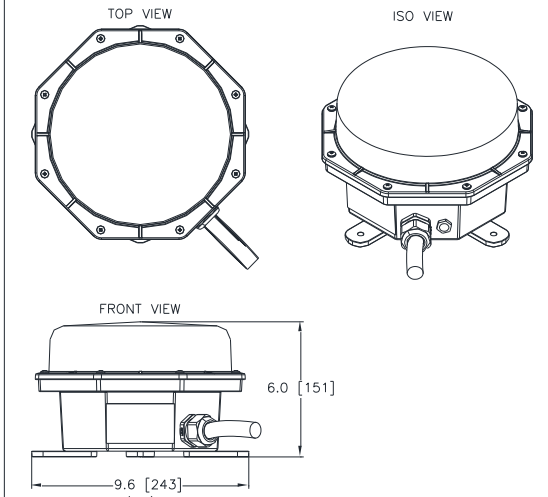
- FAA L-864 FLASHING BEACON
  - FAA L-864/865 DUAL FLASHING BEACON
  - ICAO C STEADY-BURNING BEACON
  - HAZARDOUS LOCATIONS AVAILABLE CLASS 1, DIVISION 2 (ZONE 2)
  - CABLE LOOP
- PFB-37002-R-x-EX-NC  
 PFB-37002-RW-x-EX-NC  
 PFB-37002-W-x-EX-NC



DIMENSIONS: INCHES (mm)  
 DRAWING SCALE: 3/4  
 REV DATE: 04/05/23

### FLASHING BEACON OL18

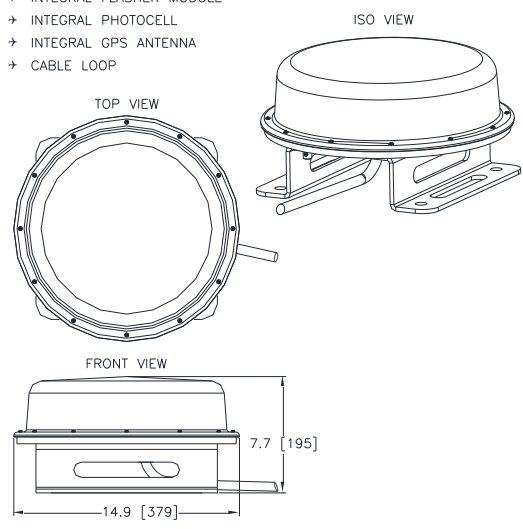
- FAA L-864 FLASHING BEACON
  - ICAO C STEADY-BURNING BEACON
  - INTEGRAL FLASHER MODULE
  - INTEGRAL PHOTOCELL
  - INTEGRAL GPS ANTENNA
  - CABLE LOOP
- PFB-37003-R-x



DIMENSIONS: INCHES (mm)  
 DRAWING SCALE: FULL  
 REV DATE: 04/05/23

### FLASHING BEACON OL19

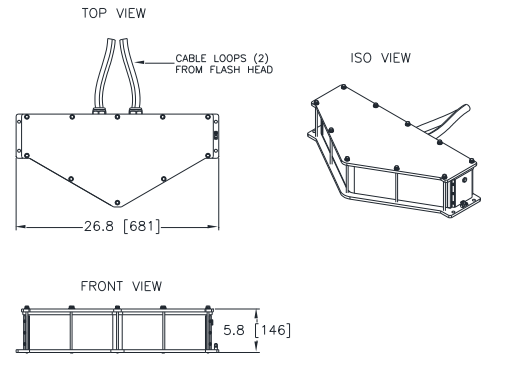
- FAA L-864/865 DUAL FLASHING BEACON
  - FAA L-865 WHITE FLASHING BEACON
  - ICAO C STEADY-BURNING RED BEACON
  - ALL-IN-ONE FIXTURE DESIGN
  - INTEGRAL FLASHER MODULE
  - INTEGRAL PHOTOCELL
  - INTEGRAL GPS ANTENNA
  - CABLE LOOP
- PFB-37004-RW-1  
 PFB-37004-W-1



DIMENSIONS: INCHES (mm)  
 DRAWING SCALE: 3/4  
 REV DATE: 04/05/23

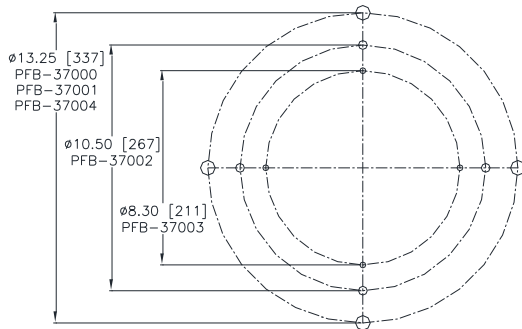
### FLASHING BEACON OL20

- HIGH INTENSITY FLASHING BEACON
  - FAA TYPE L-856 WHITE
  - FAA L-856/L-864 DUAL RED/WHITE
  - ICAO TYPES A & B
  - CABLE LOOPS
- PFB-38111-WR-1-XX  
 PFB-38111-W-1-XX



DIMENSIONS: INCHES (mm)  
 DRAWING SCALE: 3/4  
 REV DATE: 04/05/23

### OBSTRUCTION BEACON MOUNTING PATTERN FOR POINT LIGHTING BEACONS OL21



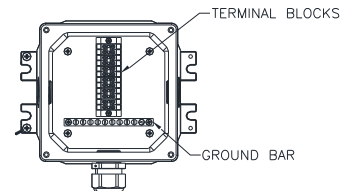
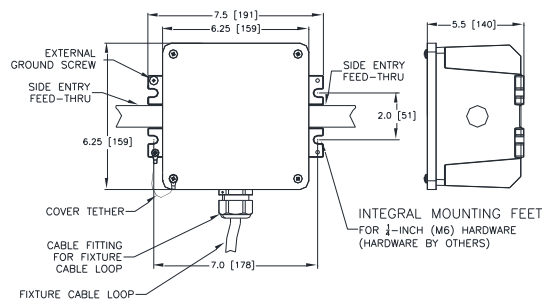
PREDRILLED MOUNTING BRACKETS ARE AVAILABLE

POINT BEACON	MOUNTING BOLT CIRCLE / HOLE DIAMETER	FASTENER
PFB-37000	Ø 13.25 / Ø.73	5/8 IN. [M18]
PFB-37001	Ø 13.25 / Ø.73	5/8 IN. [M18]
PFB-37002	Ø 10.50 / Ø.42	3/8 IN. [M10]
PFB-37003	Ø 8.30 / Ø.28	1/4 IN. [M6]
PFB-37004	Ø 13.25 / Ø.73	5/8 IN. [M18]

DIMENSIONS: INCHES (mm)  
DRAWING SCALE: FULL  
REV DATE: 04/05/23

### POINT JUNCTION BOX OL22

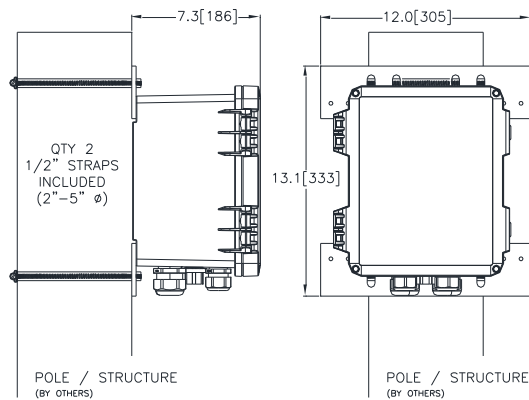
- JUNCTION BOX PL11545-xx
- INTEGRAL MOUNTING FEET
- CAPTIVE COVER SCREWS
- EXTERNAL GROUND SCREW
- TERMINAL BLOCKS
- IP66 & IP67 RATED



DIMENSIONS: INCHES (mm)  
DRAWING SCALE: FULL  
REV DATE: 04/05/23

### TOWER JUNCTION BOX OL23

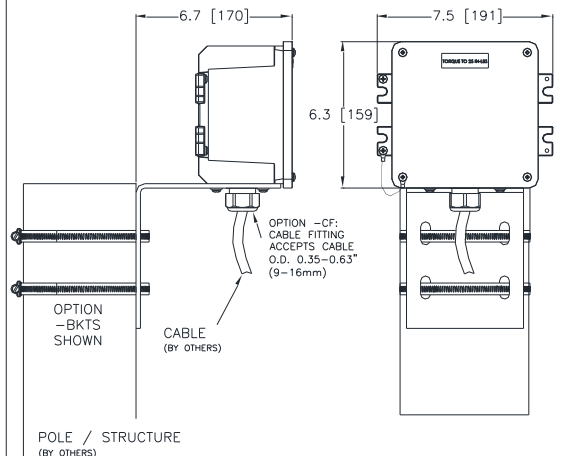
- JUNCTION BOX PL11675-xx JBOX
- BRACKET MOUNT PL11676 BRACKET KIT
- EXPOSED CABLE ENTRIES
- WORM-DRIVE STRAPS
- IP66, IP67 & IP68 RATED



DIMENSIONS: INCHES (mm)  
DRAWING SCALE: 3/4  
REV DATE: 11/03/23

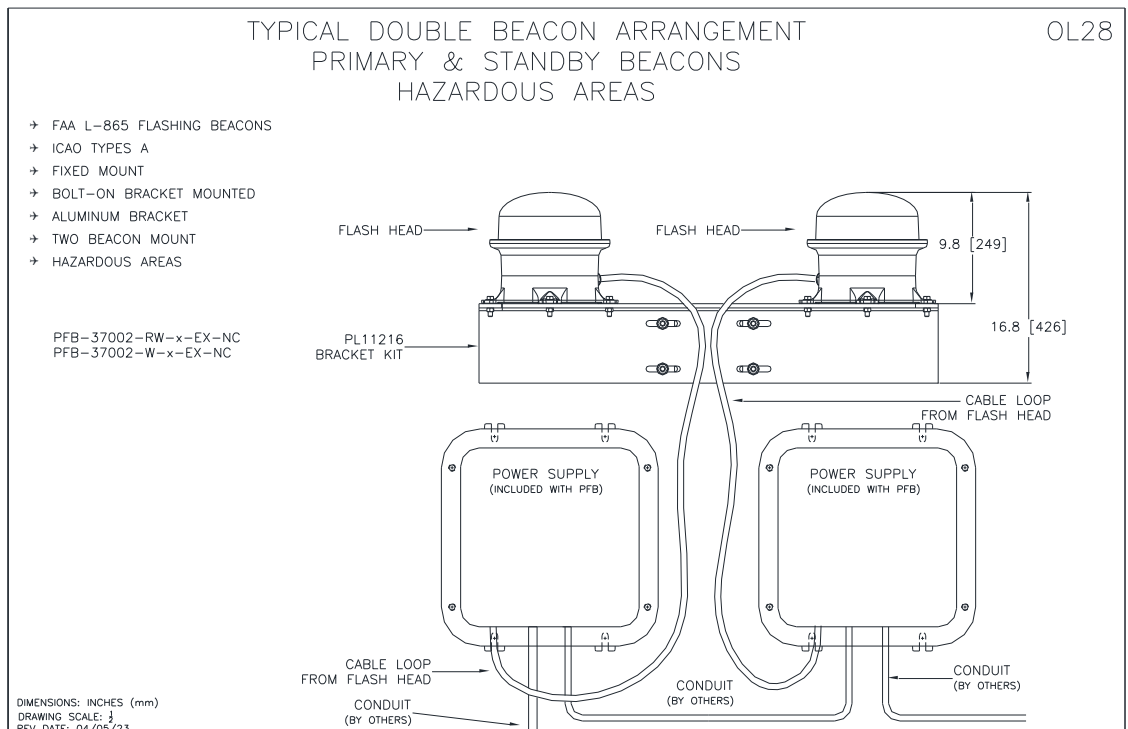
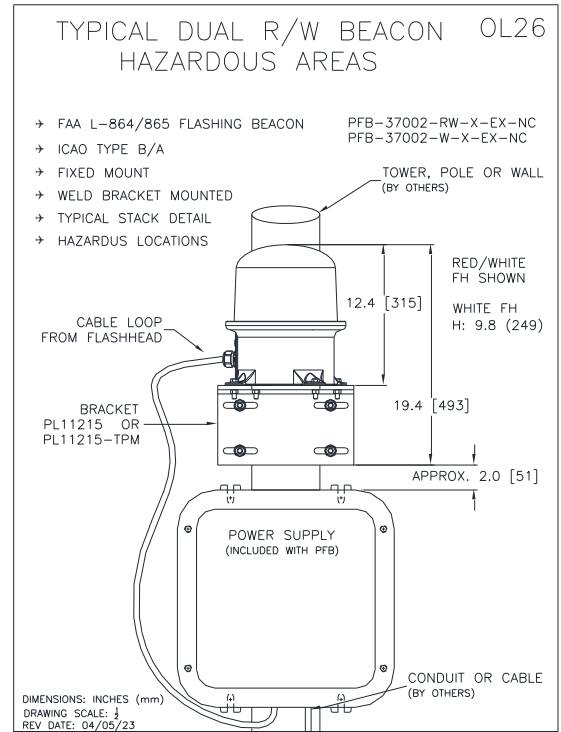
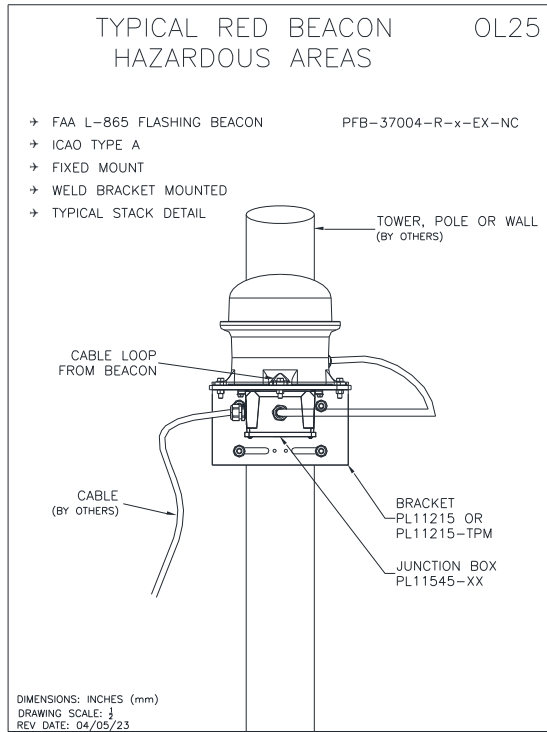
### POINT JUNCTION BOX OL24

- JUNCTION BOX PL11545-xx-BKT
- BRACKET MOUNT PL11545-xx-BKTU
- EXPOSED CABLE ENTRY PL11545-xx-BKTS
- IP66 & IP67 RATED SEE OL10



DIMENSIONS: INCHES (mm)  
DRAWING SCALE: FULL  
REV DATE: 11/03/23

## POINT LIGHTING SPECIFICATION GUIDANCE PRODUCT MOUNTING DETAILS





# POINT LIGHTING CORPORATION

## POINT LIGHTING SPECIFICATION GUIDANCE PRODUCT MOUNTING DETAILS

SINGLE BEACON BRACKET PL11562  
WALL MOUNT OL29

- FAA L-864 FLASHING BEACON PFB-37003-R-x
- FIXED MOUNT
- BOLT-ON BRACKET MOUNTED
- ALUMINUM BRACKET
- ONE BEACON MOUNT
- PL11562 BRACKET KIT ALUMINUM
- PL11545-xx JUNCTION BOX

11.0 [279]

12.5 [318]

4.0 [102]

316L STAINLESS STEEL  
BEACON MOUNTING  
HARDWARE INCLUDED

BOLT TO STRUCTURE  
1/2-INCH HARDWARE  
REQUIRED (BY OTHERS)

DIMENSIONS: INCHES (mm)  
DRAWING SCALE: FULL  
REV DATE: 08/04/23

SINGLE BEACON BRACKET PL11562-TPM  
TOWER-POLE MOUNT OL32

- FAA L-864 FLASHING BEACON PFB-37003-R-x
- FIXED MOUNT
- BOLT-ON BRACKET MOUNTED
- ALUMINUM BRACKET
- ONE BEACON MOUNT
- PL11562-TPM BRACKET KIT  
TOWER/POLE MOUNT ALUMINUM
- PL11545-xx JUNCTION BOX
- PL11545-xx-BKTS JUNCTION BOX

JUNCTION BOX MOUNTED UNDER  
TPM BRACKET

TOWER / POLE  
3 TO 6-INCH DIA  
(BY OTHERS)

BRACKET SUPPORT  
CHANNEL  
(QTY 2 INCLUDED)

BOLT TO STRUCTURE  
1/2-INCH, 316  
STAINLESS STEEL  
HARDWARE INCLUDED

JUNCTION BOX SECURED  
TO STRUCTURE

PL11545-XX  
JUNCTION BOX

OPTION -CF:  
CABLE FITTING  
ACCEPTS CABLE  
O.D. 0.35-0.63"  
(9-16mm)

DIMENSIONS: INCHES (mm)  
DRAWING SCALE: 3/4  
REV DATE: 11/06/23





**SINGLE BEACON BRACKET PL11215-V4  
WALL MOUNT**

OL33

- FAA L-864 & L-865
- FIXED MOUNT
- BOLT-ON BRACKET MOUNTED
- ALUMINUM BRACKET
- ONE BEACON MOUNT
- PL11215-V4 BRACKET KIT ALUMINUM
- PL11545-xx JUNCTION BOX

PFB-37004-RW-1  
PFB-37004-W-1

BOLT TO STRUCTURE  
1/2-INCH HARDWARE  
REQUIRED (BY OTHERS)

316L STAINLESS STEEL  
BEACON MOUNTING  
HARDWARE INCLUDED

DIMENSIONS: INCHES (mm)  
DRAWING SCALE: 3/4  
REV DATE: 08/04/23

**SINGLE BEACON BRACKET PL11215-V4-TPM  
TOWER-POLE MOUNT**

OL36

- FAA L-864 & L-865
- FIXED MOUNT
- BOLT-ON BRACKET MOUNTED
- ALUMINUM BRACKET
- ONE BEACON MOUNT
- PL11215-V4-TPM BRACKET KIT
- TOWER/POLE MOUNT ALUMINUM
- PL11545-xx JUNCTION BOX
- PL11545-xx-BKTS JUNCTION BOX

PFB-37004-xx-yy-zz

JUNCTION BOX MOUNTED UNDER  
TPM BRACKET

JUNCTION BOX MOUNTED TO  
STRUCTURE

TOWER / POLE  
3 TO 6-INCH DIA  
(BY OTHERS)

BRACKET SUPPORT  
CHANNEL  
(QTY 4 INCLUDED)

PL11545-XX  
JUNCTION BOX

316L STAINLESS STEEL  
BEACON MOUNTING  
HARDWARE INCLUDED

BOLT TO STRUCTURE  
1/2-INCH, 316  
STAINLESS STEEL  
HARDWARE INCLUDED

PL11545-XX-BKTS  
JUNCTION BOX

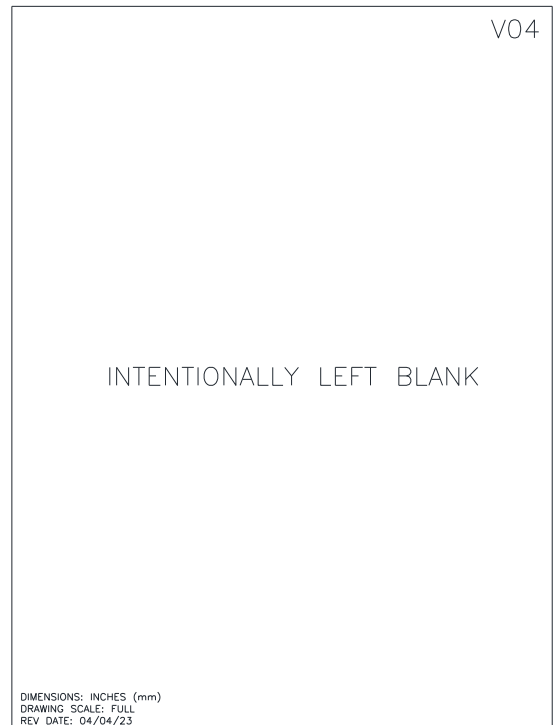
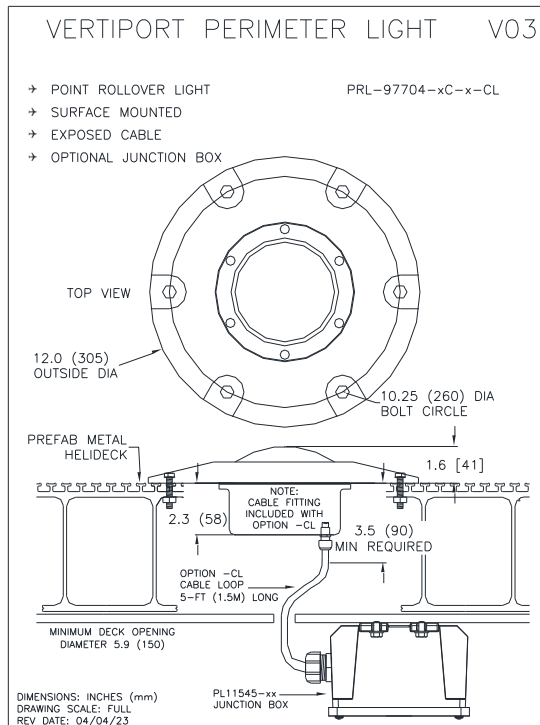
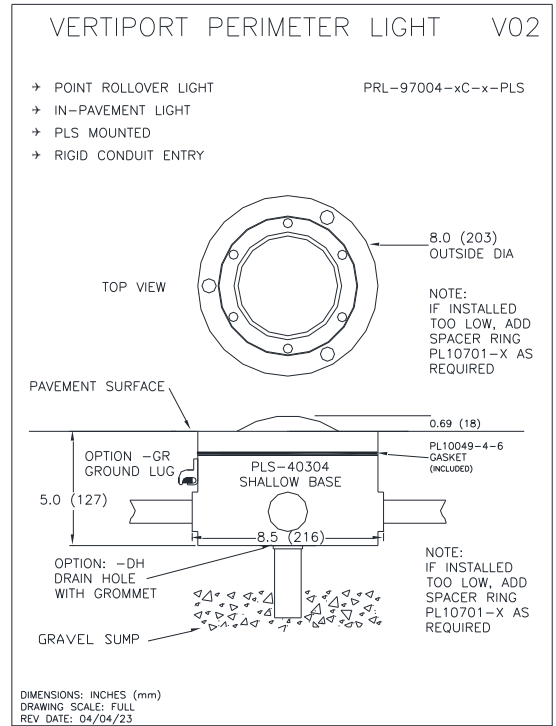
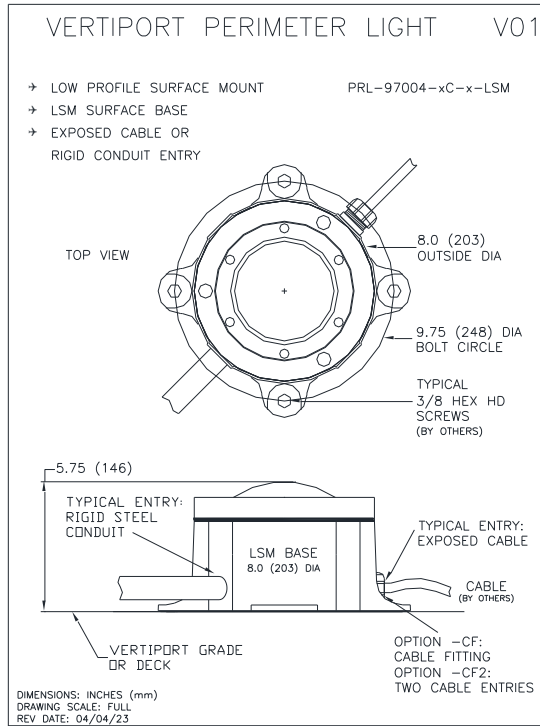
OPTION -CF:  
CABLE FITTING  
ACCEPTS CABLE  
O.D. 0.35-0.63"  
(9-16mm)

DIMENSIONS: INCHES (mm)  
DRAWING SCALE: 3/4  
REV DATE: 11/06/23



# POINT LIGHTING CORPORATION

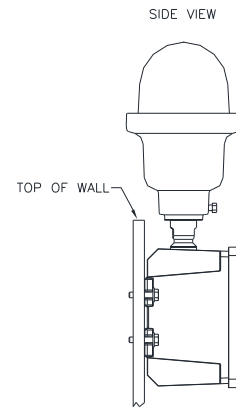
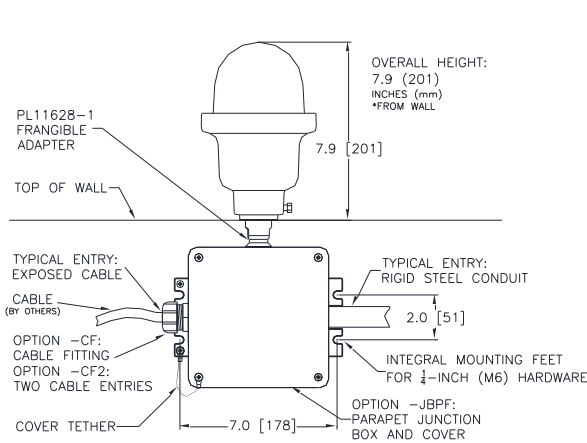
## POINT LIGHTING SPECIFICATION GUIDANCE PRODUCT MOUNTING DETAILS



### VERTIPORT PERIMETER LIGHT

V05

- STANDARD FAA ELEVATED LIGHT PEL-57005-xC-x-JBP
- ELEVATED FATO
- FRANGIBLE MOUNT
- PARAPET WALL MOUNTED
- EXPOSED CABLE OR RIGID CONDUIT ENTRY

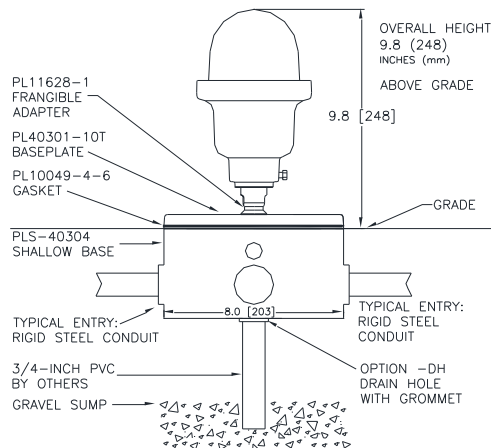


DIMENSIONS: INCHES (mm)  
DRAWING SCALE: FULL  
REV DATE: 04/04/23

### VERTIPORT PERIMETER LIGHT V07

V07

- LOW PROFILE ELEVATED LIGHT PEL-57005-xx-x-PLS
- FRANGIBLE MOUNT
- PLS SHALLOW BASE
- RIGID CONDUIT ENTRY

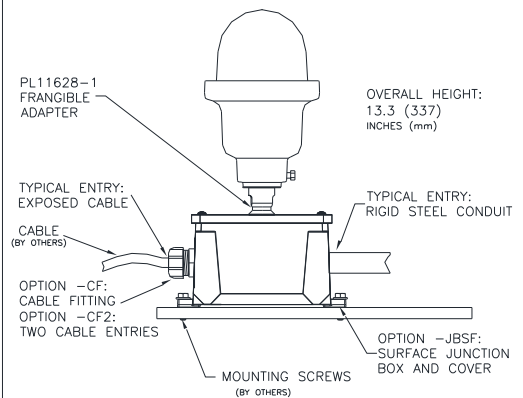


DIMENSIONS: INCHES (mm)  
DRAWING SCALE: FULL  
REV DATE: 06/19/23

### VERTIPORT PERIMETER LIGHT V08

V08

- LOW PROFILE ELEVATED LIGHT PEL-57005-xC-x-JBSF
- FRANGIBLE MOUNT
- SURFACE MOUNTED
- EXPOSED CABLE OR RIGID CONDUIT ENTRY

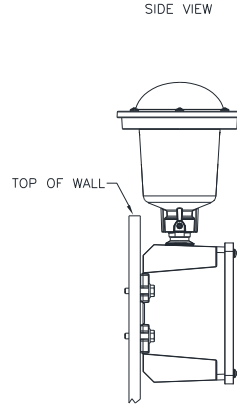
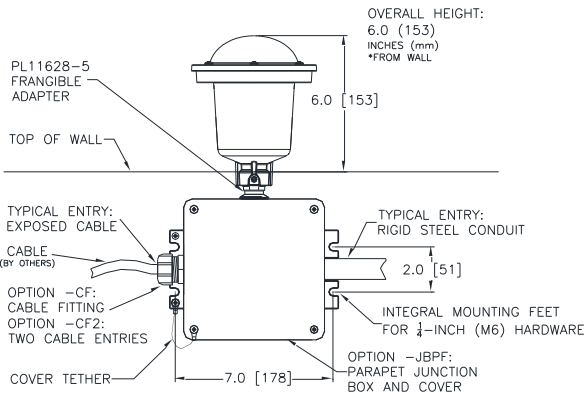


DIMENSIONS: INCHES (mm)  
DRAWING SCALE: FULL  
REV DATE: 06/19/23

### VERTIPORT PERIMETER LIGHT

V05.7

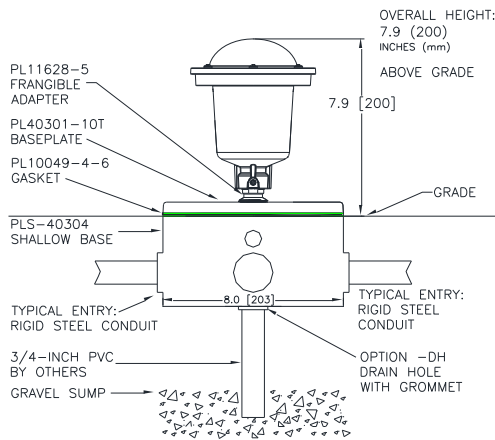
- STANDARD FAA ELEVATED LIGHT PEL-57007-xx-x-JBPF
- ELEVATED FATO
- FRANGIBLE MOUNT
- PARAPET WALL MOUNTED
- EXPOSED CABLE OR RIGID CONDUIT ENTRY



DIMENSIONS: INCHES (mm)  
DRAWING SCALE: FULL  
REV DATE: 06/20/23

### VERTIPORT PERIMETER LIGHT V07.7

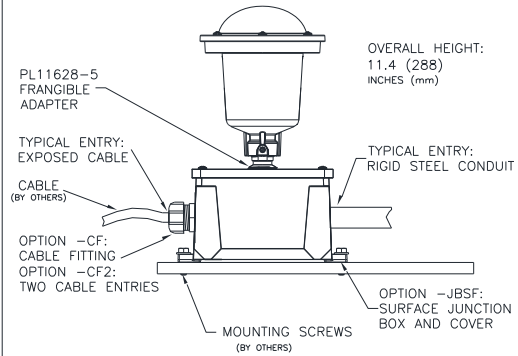
- LOW PROFILE ELEVATED LIGHT PEL-57007-xx-x-PLSF
- FRANGIBLE MOUNT
- PLS SHALLOW BASE
- RIGID CONDUIT ENTRY



DIMENSIONS: INCHES (mm)  
DRAWING SCALE: FULL  
REV DATE: 06/20/23

### VERTIPORT PERIMETER LIGHT V08.7

- LOW PROFILE ELEVATED LIGHT PEL-57007-xx-x-JBSF
- FRANGIBLE MOUNT
- SURFACE MOUNTED
- EXPOSED CABLE OR RIGID CONDUIT ENTRY



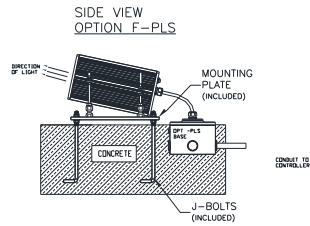
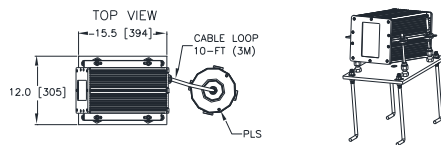
DIMENSIONS: INCHES (mm)  
DRAWING SCALE: FULL  
REV DATE: 06/20/23



### VERTIPORT SLOPE GUIDANCE V09

- HELICOPTER APPROACH PATH INDICATOR (HAPI)
- VISUAL GLIDESLOPE INDICATORS (VGS)
- FRANGIBLE MOUNT
- NO MOVING PARTS
- LED BASED TECHNOLOGY

HAPI-89001-x-F-PLS

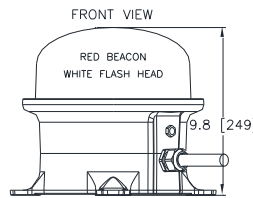
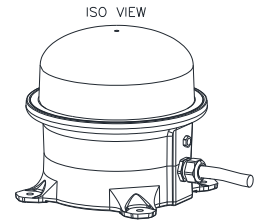
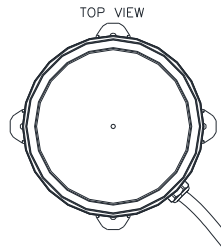


DIMENSIONS: INCHES (mm)  
DRAWING SCALE: 1/2"  
REV DATE: 04/04/23

### VERTIPORT BEACON V10

- VERTIPORT IDENTIFICATION BEACON
- 3-COLOR 36 FLASH PER MINUTE
- MORSE CODE AVAILABLE

PHB-37002-WGY-x-H  
PHB-37002-x-x-M



DIMENSIONS: INCHES (mm)  
DRAWING SCALE: 1/2"  
REV DATE: 04/04/23

V11

INTENTIONALLY LEFT BLANK

DIMENSIONS: INCHES (mm)  
DRAWING SCALE: FULL  
REV DATE: 04/04/23

V12

INTENTIONALLY LEFT BLANK

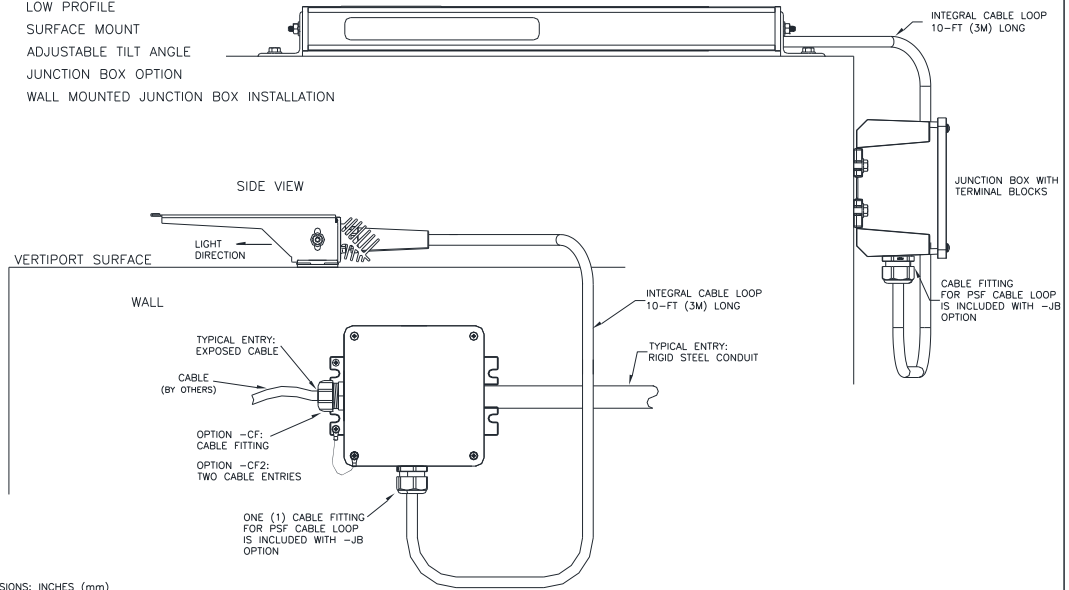
DIMENSIONS: INCHES (mm)  
DRAWING SCALE: FULL  
REV DATE: 04/04/23

### VERTIPORT FLOODLIGHT – JUNCTION BOX OPTION

V13

PSF-53063-6-JB-V

- LOW PROFILE
- SURFACE MOUNT
- ADJUSTABLE TILT ANGLE
- JUNCTION BOX OPTION
- WALL MOUNTED JUNCTION BOX INSTALLATION

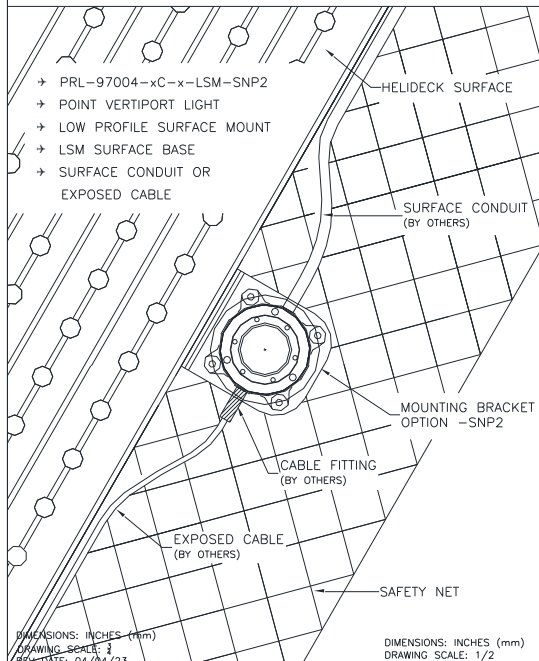


DIMENSIONS: INCHES (mm)  
DRAWING SCALE: FULL  
REV DATE: 04/04/23

### VERTIPORT PERIMETER LIGHT – SNP2 OPTION

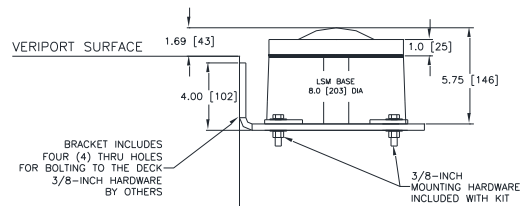
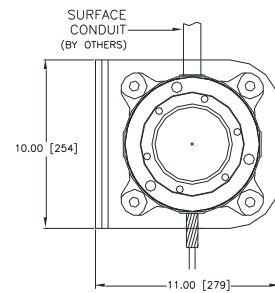
V16

- PRL-97004-xC-x-LSM-SNP2
- POINT VERTIPORT LIGHT
- LOW PROFILE SURFACE MOUNT
- LSM SURFACE BASE
- SURFACE CONDUIT OR EXPOSED CABLE



DIMENSIONS: INCHES (mm)  
DRAWING SCALE: 3/4  
REV DATE: 04/04/23

DIMENSIONS: INCHES (mm)  
DRAWING SCALE: 1/2



DIMENSIONS: INCHES (mm)  
DRAWING SCALE: 3/4