

POINT HELIPORT BEACON PHB LED IDENTIFICATION BEACON

Compliances: ETL Listed to UL 1598 & UL 1598A Marine Vessels, IP66 & IP67
 ETL Listed to CSA C22.2 No.250.0-04 Canada
 ETL Verified FAA L-864 to FAA Advisory Circular 150/5345-43H
 Registered ISO 9001:2015
 FAA Advisory Circular 150/5390-2B, para. 210.f, 310.h, 410.f.
 ICAO Annex 14 Heliports, Volume II, para. 5.3.2. 1 to 5
 ICAO Annex 14 Aerodromes, Volume I, para. 5.3.3.8 to 14
 Army TM 5-811-5, para. 7-5.b. Station Identification
 Transport Canada CAR 325.33 (option -M)
 Class I, Zone 2, Groups IIA IIB+H2 IIC, T5 at ± 55° C (option -EX)
 American Bureau of Shipping (ABS) Type Approved Product



The PHB LED medium intensity identification beacon is specified to mark the heliport or airport location. All castings are aluminum, all hardware is stainless steel and the lens is glass. There is no plastic. All exterior metal beacon parts are powdercoat painted aviation yellow for corrosion resistance that meets the US Military Standard Salt Fog Test conducted per MIL-STD-810F, Method 509.4, Procedure I.

Point Type	Color	Voltage	Options (see pages 2 & 3)
PHB-37002	W: White G: Green Y: Yellow R: Red	1: AC 3: DC 12 & 24V	H: Heliport 3-Color Flash Control HA: Heli/Airport 2-Color Flash Control M: Morse Code (ICAO) Flash Control MA: Morse Code with Alarms * C066: Brightness Control ** MT: Marine Treatment EX: Class I, Div 2, Groups A B C D, T5 NC: NVG Compatibility DP: Double Peak White (with -H or -HA) SOL: Solar Powered DC (with -M only)

PHB-37002-WGY-1-H



Intensity:	2,000 candelas option -H 2,500 candelas option -M
Wattage:	51.1 watts Peak (AC) option -H & -HA 30.0 watts Average (AC) option -H 38.0 watts Average (AC) option -HA 65.6 watts Peak (AC) option -M 36.0 watts Average (AC) option -M & -MA
Volt-Amps:	104 VA (AC) option -M 74 VA (AC) option -H/HA
Input Range:	96 to 264 volts AC; 50 or 60 Hz 10.8 to 26.4 volts DC
LED avg. life:	100,000 hours
Temp Rating:	± 55° C
Dimensions: Inches (mm)	12.1 (306) x 12.1 (306) x 9.8 (249) H
Weight::	20.2 lbs 9.2 kg
Mounting:	4 Holes on 10.5-inch circle

*** FIELD PROGRAMMABLE**

A beacon with option -MA may be reprogrammed with a new message using our optional handheld device.

**** BRIGHTNESS CONTROL**

3-step brightness control by selecting option -C066. Has a separate control unit and requires option -MA.

FEATURES

- Over voltage & over current protection
- Short circuit & open circuit protection
- Metal oxide varistor surge protection
- No external plastic parts
- Factory sealed





POINT LIGHTING CORPORATION

POINT HELIPORT BEACON PHB LED ICAO IDENTIFICATION BEACON MORSE CODE BEACON

Compliances: ETL Listed to UL 1598 & UL 1598A Marine Vessels & IP66
ETL Listed to CSA C22.2 No.250.0-04 Canada
Registered ISO 9001:2015



ICAO Annex 14 Heliports, Volume II, para. 5.3.2. 1 to 5
Transport Canada CAR 325.33 (option -M)
Class I, Division 2, Groups A B C D, T5 at ± 55° C (option -EX)
Class I, Zone 2, Groups IIA IIB+H2 IIC, T5 at ± 55° C (option -EX)
IECEX Listed: Ex db eb op is IIB T6 Gb Ta -40 to +55-deg C, IP66 & IP67
ATEX Listed: Ex II 2 G Ex db eb op is IIB T6 Gb Ta -40 to +55-deg C, IP66 & IP67

The PHB LED ICAO identification beacon is specified to mark the heliport or airport location by emitting a flashing Morse code signal. The standard signal is a Morse code "H", but the factory can program any signal such as site identifier or radio frequency number. Available in white or green light output.

BRIGHTNESS CONTROL: The PHB with option -M for Morse code is available with 3-step brightness control (30-60-100%) by adding option -C066.

OPTION -EX: Class I, Division 2 (Zone 2) listed.

OPTION -AX: ATEX & IECEX Zones 1& 2 listed. Requires option -MA.

OPTION -M: ICAO Identification Beacon

The Morse code beacon shall comply with ICAO Annex 14, Volume II, paragraph 5.3.2 and Transport Canada CAR 325.33. The basic unit shall flash message "H" unless the user specifies a different message to be factory programmed. The peak beam in white shall be 2,500 candelas. For the ICAO aerodrome identification beacon, the light output color is green and specify the code message.

OPTION -C066: Brightness Control

With required option -MA, this option adds a separate control unit in a NEMA 4X (IP66) wall-mounted enclosure to produce three (3) brightness steps at 100% - 60% - 30% of normal. An ON-OFF-AUTO switch on the door may be used with an FAA photoelectric controller (PPC ordered separately) when set in the AUTO position.

Note: Not available for two and three color PHB beacons.

OPTION -NC: Night Vision Goggle (NVG) Compatibility

The beacon shall be "visible" to pilots wearing NVG by adding infrared LEDs. Single wavelength colored LEDs are not within the wavelength range of most NVG.

OPTION -MA: ICAO Identification Beacon with Alarm Monitoring

In addition to the features of option -M, the Morse code beacon shall have a line powered alarm line for LED array failure alarm and flasher failure alarm. The beacon message may be reprogrammed using our optional handheld device PL11248-MA.

OPTION -SOL: Solar Powered ICAO Identification Beacon

Order as PHB-37002-W-3-M-SOL for automatic operation with solar power package included.

Handheld Programmer
PL11248-MA

Required for changing the Morse code message in the field.



PHB-37002-W-1-MA-C066-MT-NC
ICAO MORSE CODE IDENTIFICATION BEACON
with Brightness Control (control
Marine Treatment & NVG Compatibility



POINT HELIPORT BEACON PHB LED IDENTIFICATION BEACON

SPECIFICATION

The PHB POINTSPEC™ series LED heliport identification beacon shall be listed *Suitable for Use in Wet Locations* to UL1598A Marine Vessels, UL1598 2nd Edition Luminaries; CSA C22.2 No. 250.0-04, 2nd Edition. Sealed to IP66 and IP67 ingress protection.

All hardware shall be 316L stainless steel. All exterior copper-free aluminum cast beacon parts shall be powdercoat painted aviation yellow for corrosion resistance that meets the US Military Standard Salt Fog Test conducted per MIL-STD-810E, Method 509.4, Procedure I. The clear lens shall be made of strong soda-lime glass. There shall be no plastics used in the structural construction of the beacon.

OPTION –M:

The Morse code beacon shall comply with ICAO Annex 14, Volume II, paragraph 5.3.2 and Transport Canada CAR 325.33. The basic unit shall flash message “H” unless the user specifies a different message to be factory programmed. The peak beam in white shall be 2,500 candelas. For the ICAO aerodrome identification beacon, the light output color is green and specify the code message.

OPTION –MA:

In addition to the features of option –M, the Morse code beacon shall have a line powered alarm line for LED array failure alarm and flasher failure alarm. The beacon message may be reprogrammed using our optional handheld device PL11248-MA.

OPTION –H:

The 3-color heliport beacon shall flash alternately white (clear), yellow, green at the FAA specified flash rate of 36 flashes per minute. The beacon is low intensity at 2,500 candelas in white intended for use at privately owned heliports where an optional visual aid is desired to enhance marking the heliport site location as noted in FAA Advisory Circular 150/5390-2B, paragraph 210.f (2004).

Flash rate: 36 per minute Each color flashes 12 times per minute

OPTION –HA:

The 2-color heliport beacon shall flash alternately white (clear) and green or yellow at the FAA specified flash rate of 24 flashes per minute. The beacon is low intensity at 2,500 candelas in white intended for use at privately owned airports and heliports where an optional visual aid is desired to enhance marking the site location.

Flash rate: 24 per minute Each color flashes 12 times per minute

OPTION –DP:

The flash of the white (clear) LEDs shall be double-peaked (meaning a double flash) as appears in US Military specifications. Requires –H or –HA.

OPTION –MT:

The beacon shall be treated for marine conditions by cleaning per US Department of Defense TT-C-490 method III, pretreated with chrome-free aluminum conversion coating per US MIL-C-5541 type II, epoxy powder base coat primer and glossy polyester powder coat finish in color RAL 6003 (FED-STD-595 color #14097) dark green. Powder coating per US Department of Defense MIL-PRF-24712A type VI and oven cured.



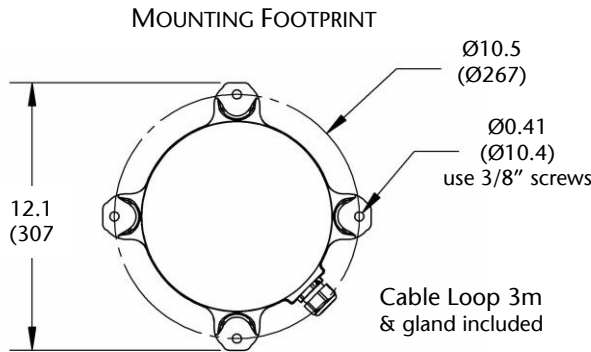


POINT LIGHTING CORPORATION

POINT HELIPORT BEACON PHB LED IDENTIFICATION BEACON

SERVICE

The beacon is permanently sealed. Do not attempt to open the beacon.
Do not attempt any testing or procedure not stated in the manual.

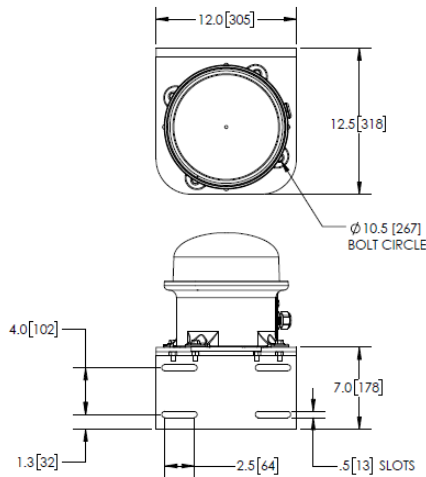


BEACON CABLE LOOP

Length: Three (3) meters
Type: SOW 600-volt
Wires: Three (3) each #14 AWG

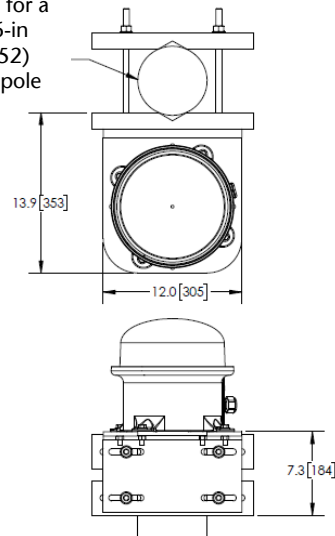
Dimensions: Inches (mm)

Bracket PL11215 For Wall Mounting



Bracket PL11215-TPM Tower-Pole Mounting

Adjustable for a 3-in to 6-in (76 to 152) diameter pole



Anodized Aluminum
Includes Stainless Steel
Beacon Mounting Hardware



POINT LIGHTING CORPORATION

Mail: P.O. Box 686, Simsbury, CT 06070
Tel 01 860.243.0600
email: Info@PointLighting.com

Plant: 61-65 W. Dudley Town Rd, Bloomfield, CT
USA
Fax 01 860.243.0665
website: www.PointLighting.com